

Versalite LED Wallpack

Applies to

VL50XP, VL120XP

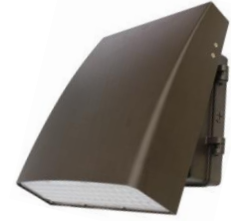


Table 1: Product Specifications

Model	Dimensions (LxWxH) inches	Input Voltage	Input Current (Max.)	Watt	Power Factor	Dimming
VL50XP	9 x 7.6 x 4.5	120-277 VAC	0.65A	20/30/40/50W	>0.9	0-10V/ PWM/VR
VL120XP	13 x 11 x 5.5		1.4A	50/80/100/120W		

Where X represents CCT (3=3000K, 4=4000K, 5=5000K)

SAFETY INSTRUCTION

- Read instructions carefully before attempting to install fixture. Retain instruction for future reference.
- Disconnect power before installing or servicing. This fixture must be wired in accordance with the National Electrical Code and applicable local codes and ordinances.
- All wiring should be performed by a qualified electrician. This fixture is for outdoor use and should not be used in areas with limited ventilation or high ambient temperatures.
- Please consult product specifications (Table 1) before wiring to estimate total load.

INSTALLATION

- 1) Open the fixture 90° to get easy access to screws holding the back plate (figure 1). Loosen 2 screws and take off the back plate.

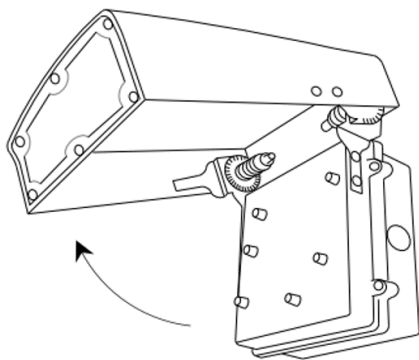


Fig. 1



Fig. 2

- 2) Remove weep-hole screws from the bottom of the back plate (figure 2).
- 3) Tighten threaded coin plugs.

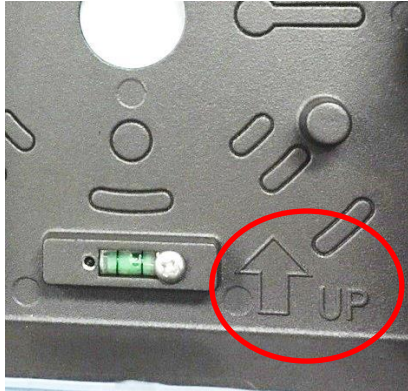


Fig. 3(a)

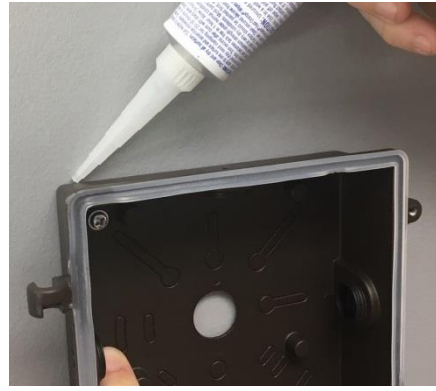


Fig. 3(b)



Fig. 3(c)

- 4) Orient so that the UP (↑) arrow points upwards (figure 3(a)). Secure the back plate to junction box by screws (provided by others).
- 5) **Apply silicone glue (provided by others) along the top and down both sides to prevent water entering the back of the fixture.** See figure 3(b) & 3(c).
- 6) Hang the fixture on the back plate. Connect the green ground wire with ring terminal to the back plate (figure 4(a) & 4(b)). Using wire-nuts (provided by others) connect white to “Neutral”, black to “Live”, and green to “Ground”.

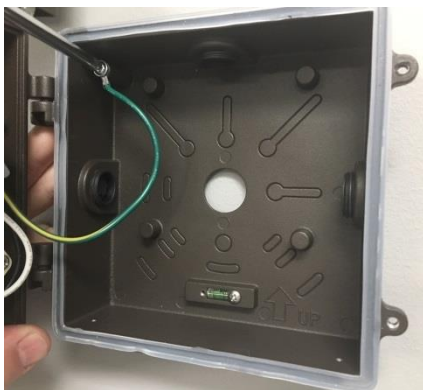


FIG. 4(a)

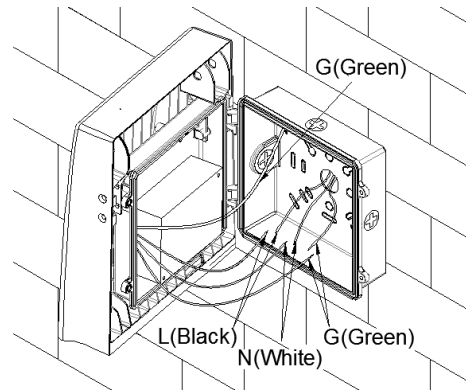


FIG. 4(b)

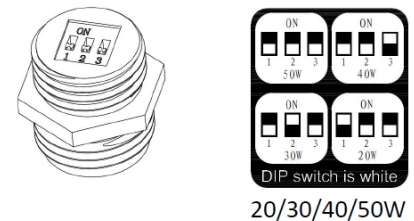


FIG. 5

- 7) **Optional Wattage Selection**
 - a) Unscrew knob cap to access toggle switches on the wattage selector module present in driver compartment.
 - b) Toggle DIP switches to select desired wattage for the luminaire (figure 5)
- 8) Close fixture and tighten the 2 screws (figure 6). Adjust fixture to desired angle.

WARNING –

Water entering the fixture is likely to cause failure. Water damage due to loose coin plugs or failure to seal the perimeter of the fixture to the mounting surface or failure to remove weep-hole screws will void warranty.

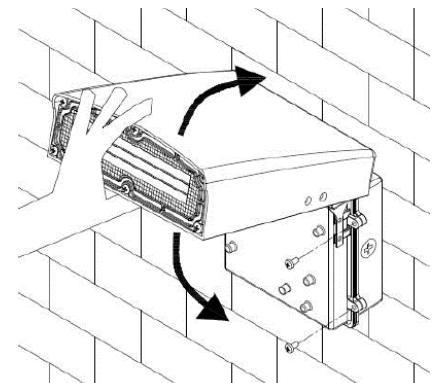


FIG. 6