

11/7/2012

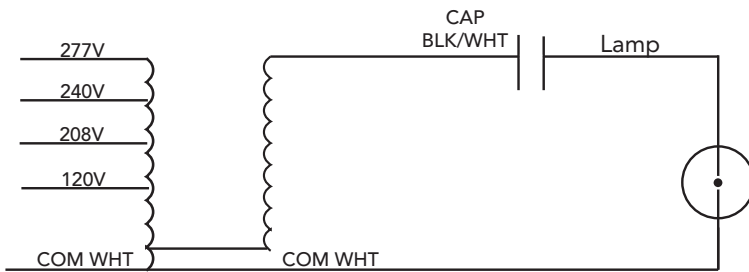
**250 Watt M58 60Hz
Metal Halide**

Project:	
Catalog#:	
Approved by:	

Input Volts (60 hz)	120	208	240	277
Input Watts	295	295	295	295
Approx. Line Current (Amps)*	2.6	1.5	1.3	1.2
Circuit Type	CWA			
ANSI	M58			
Insulation Class	Class H			
Power Factor	> 90%			
Regulation	Line Volts: $\pm 10\%$ Lamp Watts: $\pm 10\%$			
Min. Ambient Starting Temp.	-20°F/-30°C			
High Potential Test (Volts)	1 Minute: 1650 1 Second: 2000			
Lead Lengths (inches)	12			
UL Temperature Ratings*	1029A			
Capacitor	15.0/400V Min. Included in kit.			

* See Ballast Label for exact values and additional information

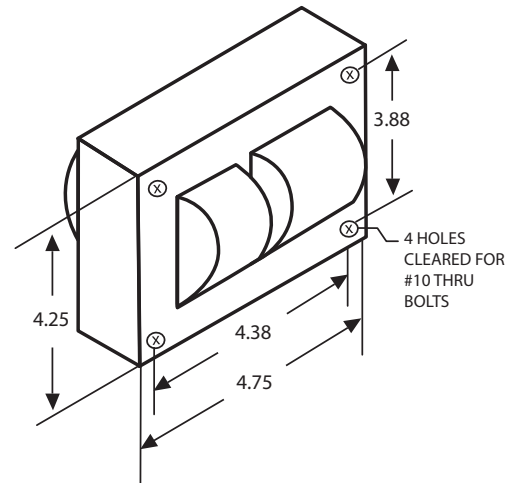
WIRING DIAGRAM



HID Ballast Kit

- Ballast
- Capacitor
- Mounting Bracket

DIMENSIONAL DRAWING



Specifications subject to change without notice.



High Intensity Discharge Ballasts