



# W2 Kiosk

## Howard W-Series W2

Smartly designed and competitively priced, the Howard W2 kiosk supports a hosts of scanners, readers, keyboards, and other devices. Each of these features are seamlessly and securely integrated into the kiosk and easily configure to deliver functionality specific to your organizational, customer, and employee needs.

Allow all of your services and payment actions to be in one place with the W2 Kiosk

### Standard Package

- Speakers
- Camera
- On-site training & installation

### Options

- 3G/4G Modem
- RFID Reader
- Biometric reader
- Ticket printer
- Intercom
- Receipt printer

### Benefits

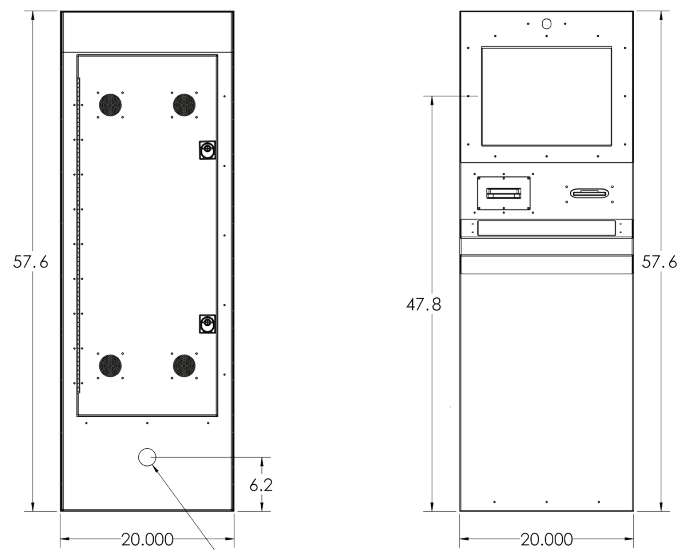
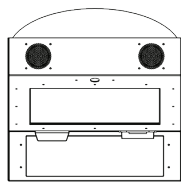
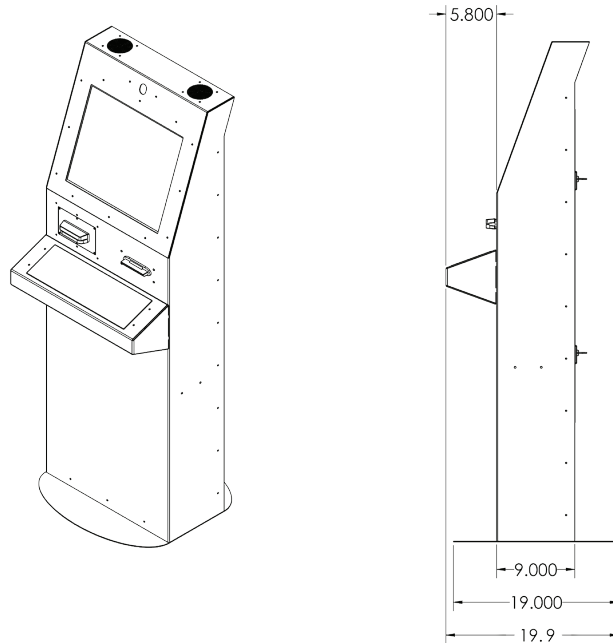
- Customer service support
- Improve customer experience
- Lower service costs
- Open architecture design
- Customizable graphics/logos/colors

### Specs

- Width: 20 in
- Depth: 19.9 in
- Weight: 175 lbs
- Height: 57.6 in
- Touchscreen: 19 in

Experience the Howard Kiosk Advantage today!

# Howard W2 Kiosk-Measurements & Isometric View



**General Information**  
howard.com  
Toll Free: 1.888.323.3151  
24/7 (excluding US holidays)