



# R4 Dual-Sided Kiosk

## Howard R-Series R4 Dual-Sided

Increase revenue and customer satisfaction with Howard's R-Series, free-standing kiosk, the R4 model. Streamlined business transactions, after-hours convenience, and reduced overhead make the R4 ideal for businesses and organizations of all kinds. Minimalistic styling makes this model easy to place nearly anywhere, seamlessly blending it into your environment. The R4 includes a high-definition display and is built to ADA standards that include assistive technology for those visually or mobility impaired. All Howard kiosk enclosures are constructed of cold-rolled, powder-coated steel for extreme durability and easy cleaning. Custom designs, with your colors and logo, are also available.

Allow all of your services and payment actions to be in one place with the R4 Kiosk

### Standard Package

- HD Display
- Ethernet
- Storm audio-nav device
- Card reader
- Barcode scanner
- Enclosure
  - Powder-coated
  - 13 Gauge
  - Cold-rolled steel

### Options

- Touchscreen display
- Customizable software package
- Various height options
- Custom designs available
- Camera
- Speakers
- Receipt Printer

### Benefits

- Higher transaction rates
- Easy-to-clean surfaces
- Labor optimization
- Lower business costs
- Consistent up-selling

### Specs

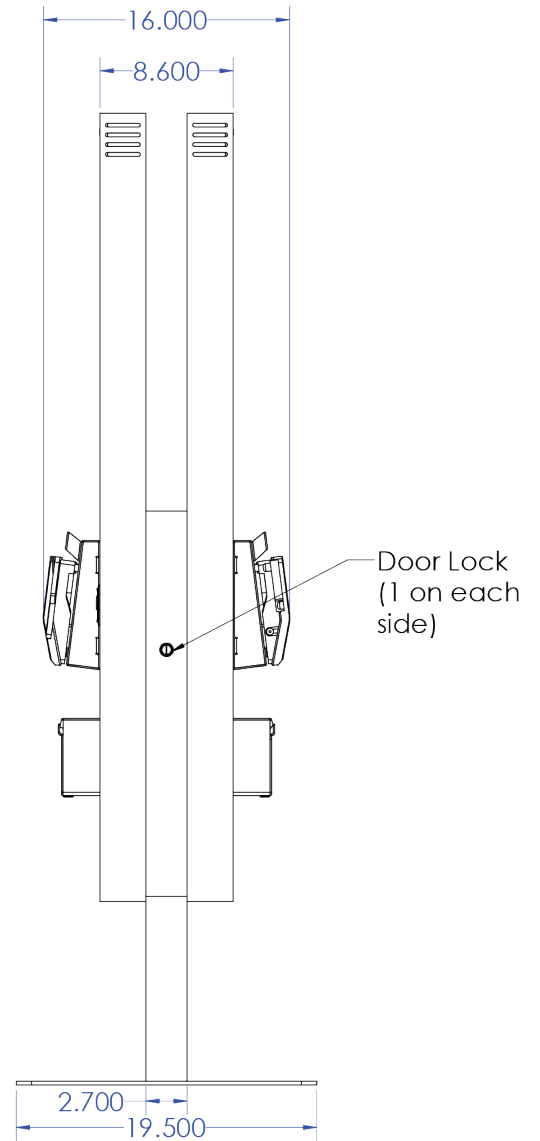
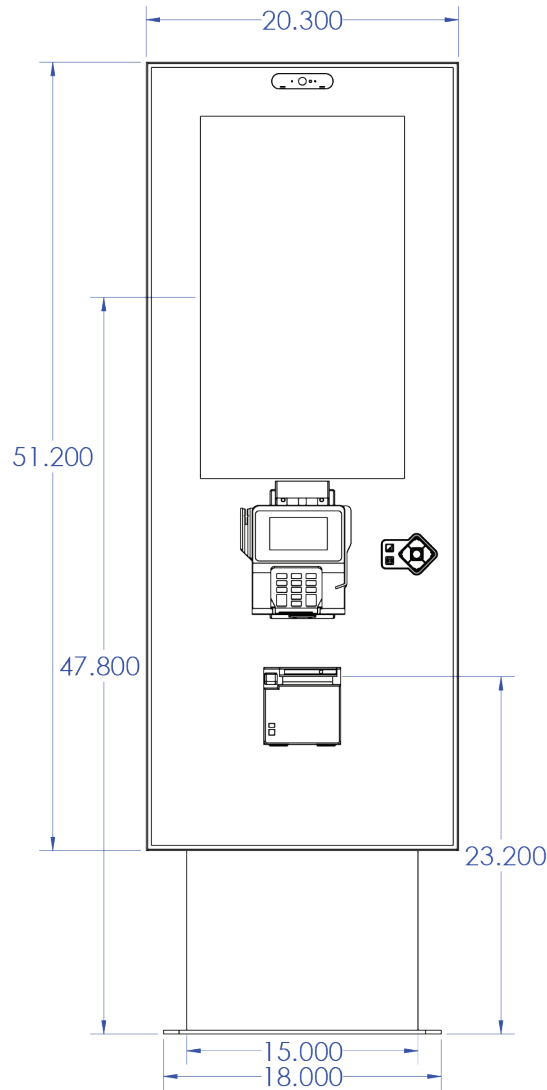
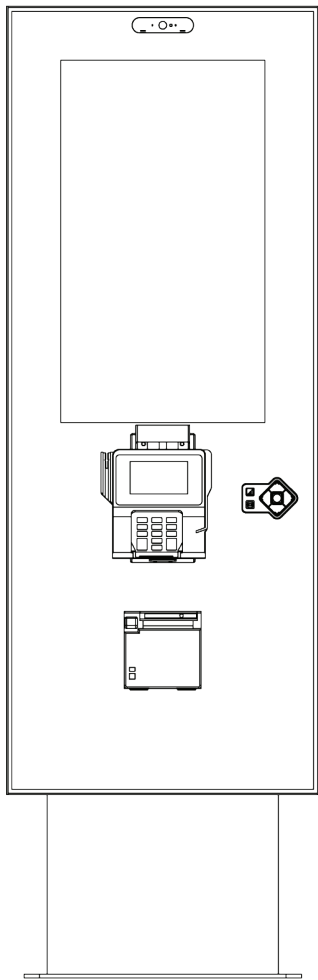
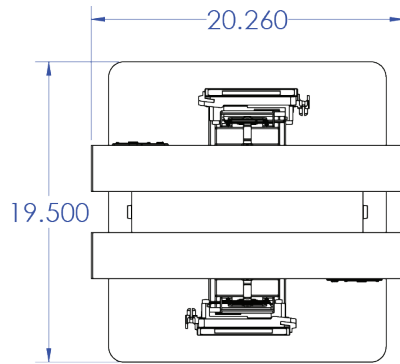
- Width: 20.26 in
- Depth: 19.5 in
- Weight: 220 lbs
- Height: 51.18 in
- Touchscreen: 27 in

Experience the Howard Kiosk Advantage today!

howard.com | 1.888.912.3151



# Howard R4 Dual-Sided Kiosk, 27" Display-Measurements



## General Information

howard.com

Toll Free: 1.888.323.3151

24/7 (excluding US holidays)

