



# R3 Kiosk

## Howard R-Series R3

Howard is steadily paving its way into the QSR industry to offer its clients a competitive offer. Introducing the Howard R3 kiosk, a QSR solution that will undoubtedly assist your business in growth and provide your customers the ultimate experience. While lowering the cost of operation, our kiosk will increase your profits and give you an advantage. Today is the day to see the real value in kiosks and how they can take your customer service to the next level.

Provide your customers with a gratifying experience that will be sure to bring them back

### Standard Package

- Card reader
- Receipt printer
- Barcode scanner
- 27in. Touchscreen monitor

### Basic Features

- Touchscreen
- HD Display

### Benefits

- Increase order size
- Ultimate consumer experience
- Consistently up-sell
- Fast turnaround
- Labor efficiency

### Customizable Software Package

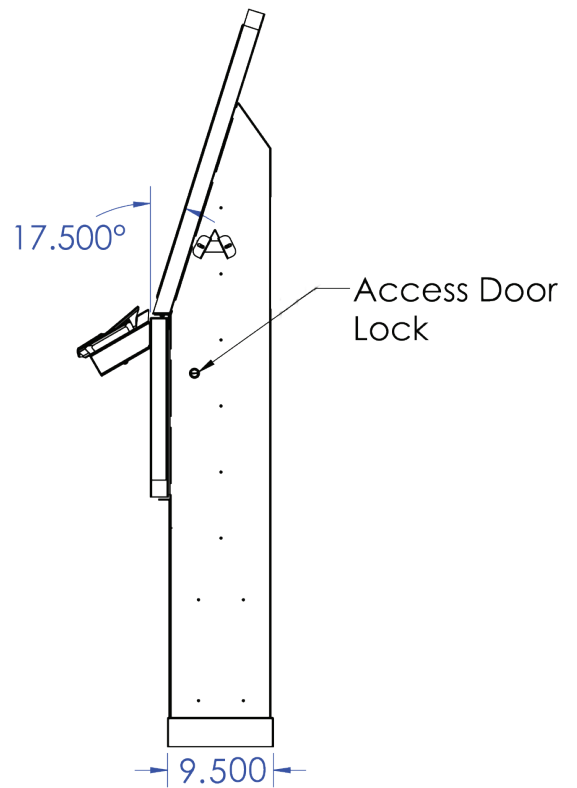
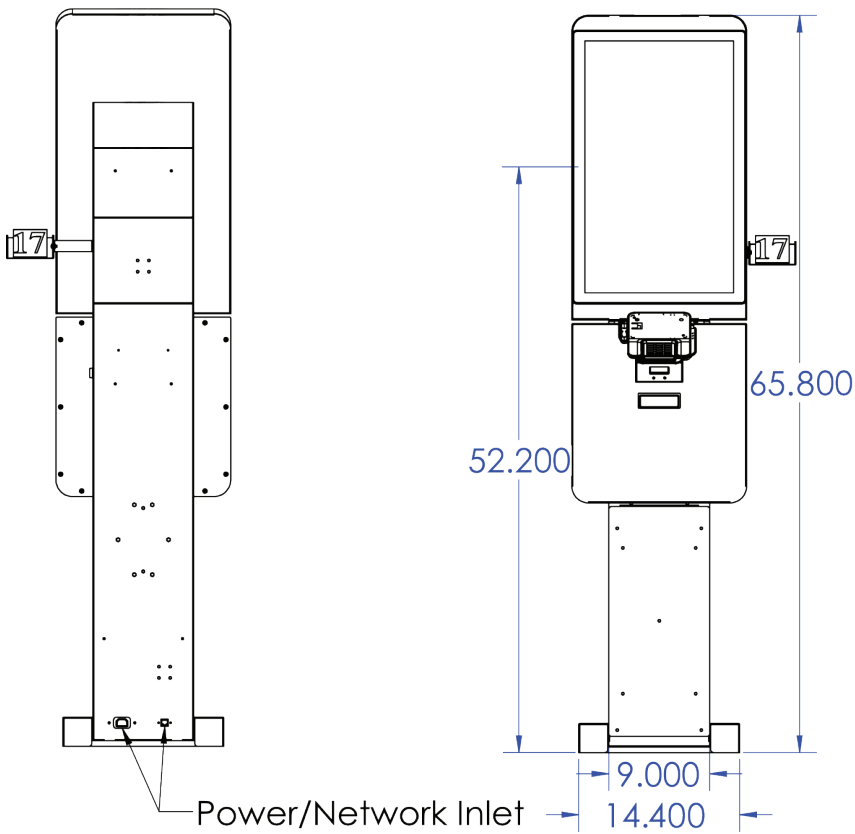
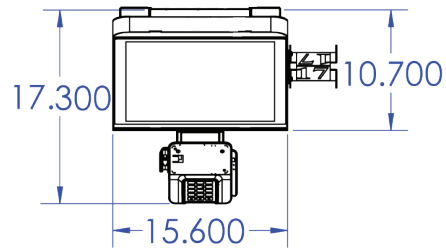
- Easy-to-follow on-screen graphics
- Target messaging
- Bi-lingual support
- Unlimited designs available

### Specs

- Width: 15.6 in
- Height: 65.8 in
- Depth: 17.3 in
- Touchscreen: 27 in

Experience the Howard Kiosk Advantage today!

# Howard R3 Kiosk—Measurements & Isometric View



## General Information

howard.com

Toll Free: 1.888.323.3151

24/7 (excluding US holidays)

