



# R1 Kiosk

## Howard R-Series R1

Howard is steadily paving its way into the QSR industry to offer its clients a competitive offer. Introducing the Howard R1 kiosk, a QSR solution that will undoubtedly assist your business in growth and provide your customers the ultimate experience. While lowering the cost of operation, our kiosk will increase your profits and give you an advantage. Today is the day to see the real value in kiosks and how they can take your customer service to the next level.

Allow all of your services and payment actions to be in one place with the R1 Kiosk

### Standard Package

- Speakers
- Keypad
- Card reader
- Receipt Printer

### Basic Features

- Touchscreen
- HD Display
- Customizable software package
- Easy-to-follow on-screen graphics
- Target messaging
- Unlimited designs available

### Benefits

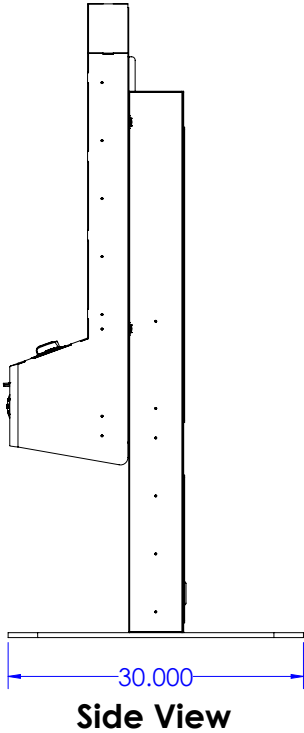
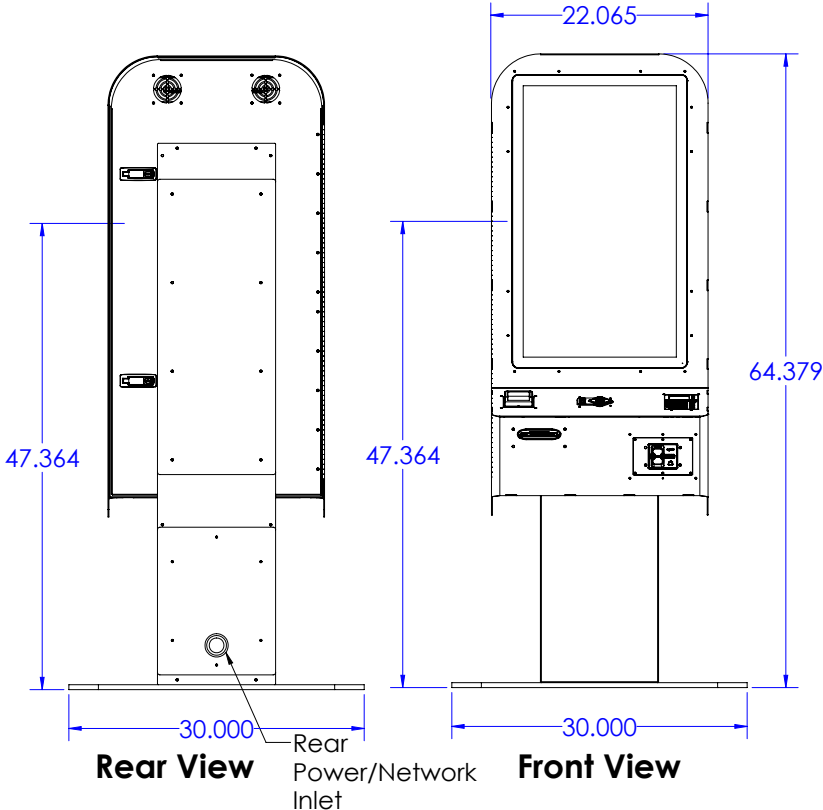
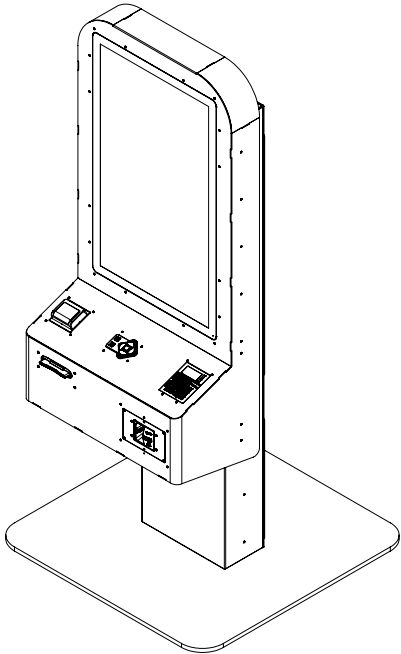
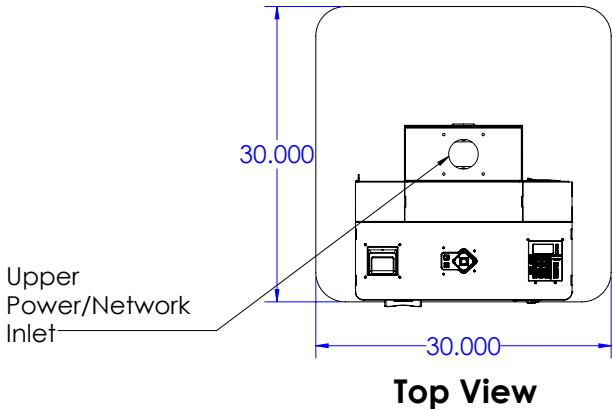
- Increase order size
- Ultimate consumer experience
- Consistently up-sell
- Fast turnaround
- Labor efficiency
- Reduce theft
- Prevent loss of revenue

### Specs

- Width: 30 in
- Height: 64.4 in
- Depth: 30 in
- Touchscreen: 32 in

Experience the Howard Kiosk Advantage today!

Howard R1 Kiosk-Measurements & Isometric View



**General Information**  
howard.com  
Toll Free: 1.888.323.3151  
24/7 (excluding US holidays)

