



Outdoor Menu Board

Howard Outdoor Menu Board

Digital Menu Boards from Howard Interactive have been proven to reduce perceived wait times, keep the lines moving and influence your customers' buying decisions. Show your customers your new food and beverage products before they reach the cashier or point of sale terminal. The Menu Content management system is easy and straightforward, allowing you to update based on time of day, season etc. We want to help you in your day-to-day tasks and get you back to serving your customers. Customized designs and colors are available.

Streamline your workflow with contactless self-service with a Howard self-service locker!

Features

- Informational messaging
- Branding options
- Rain cover
- Two (2) back-lit static screens

Build Materials

- 13-Gauge mild steel
- Powder-painted
- Anti-microbial Hammertone finish
- Acrylic screens

Content Features

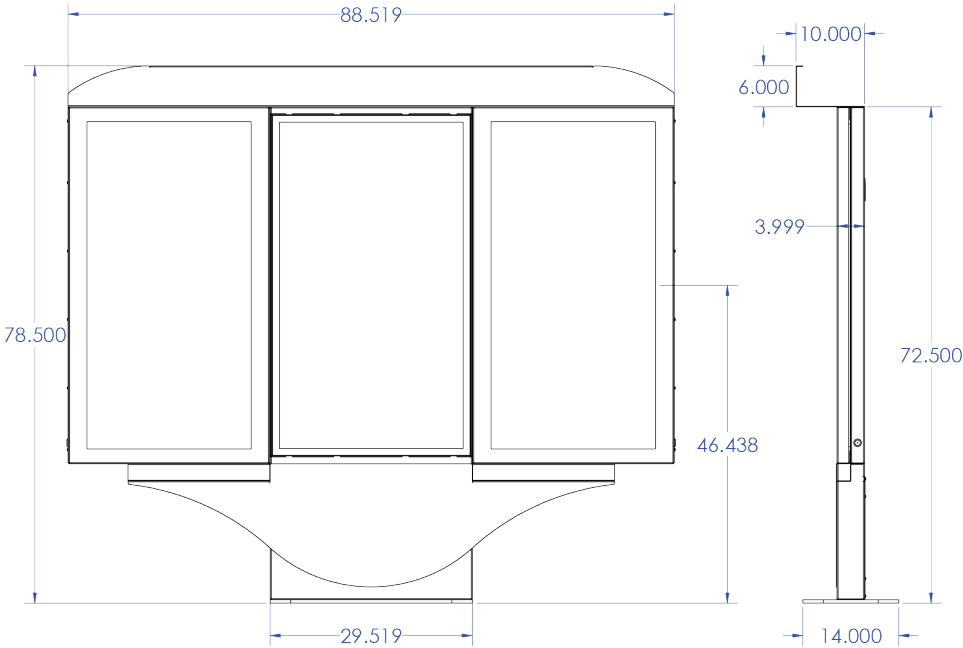
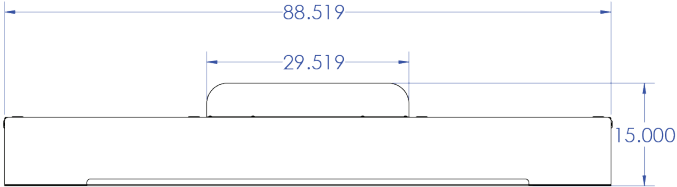
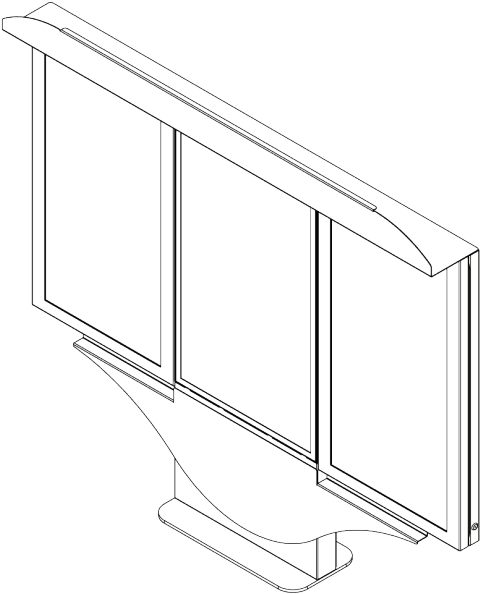
- Portrait digital signage layout
- Enhances overall customer experience
- Promotes company, specials, and services

Specs

- Width: 88.5 in
- Display: 55 in
- Height: 78.5 in

Experience the Howard Advantage today!

Howard Outdoor Menu Board-Measurements & Isometric View



General Information
howard.com
Toll Free: 1.888.323.3151
24/7 (excluding US holidays)

