

Howard Acrylic Health Shields

Protective Shield & Airborne Disease Prevention Solution

Howard Health Shields act as protective barriers, shielding employees and customers from sneezes and coughs and helping to impede the spread of airborne droplets containing COVID-19 coronavirus, as well as other viruses and bacteria. These transparent protective shields are made from durable, easy-to-disinfect acrylic. They help to establish a clear measure of physical separation, reinforcing social distancing while allowing customers and employees to interact effectively.

Howard Health Shields are completely customizable, which makes them ideal for workplaces of all kinds—offices, stores, schools, restaurants, retail businesses, banks, hotels, and public facilities. They are lightweight and easy to install, with options for ceiling mount or simple countertop placement, making them easy to move from one location to another. Howard Health Shields are a great way to help protect cashiers, clerks, and other employees working with the public. Take care of business safely with Howard Health Shields.

Ideal for:

- Offices
- Stores
- Schools
- Restaurants
- Retail
- Banks
- Hotels
- Public Facilities

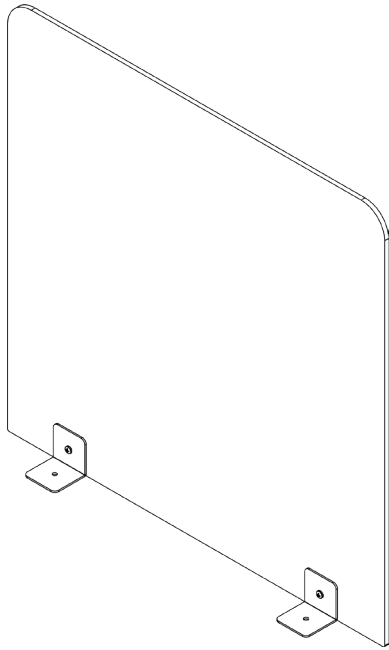
DURABLE ¼ ACRYLIC



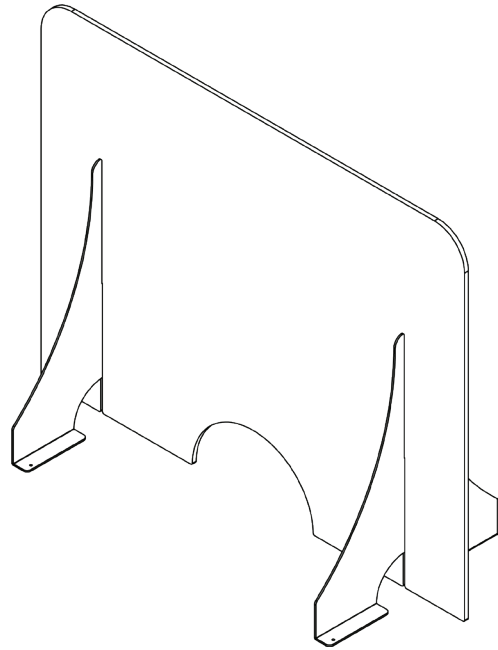
LET OUR PROFESSIONAL SERVICES TEAM DESIGN AND INSTALL THE PERFECT CONFIGURATION FOR YOUR FACILITY!

Over 70 Configurations with Various Mounting Options Available

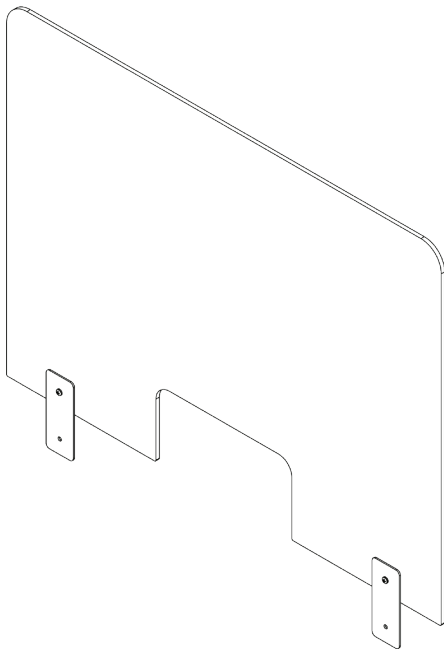
All health shields are completely customizable to the size you need for your project



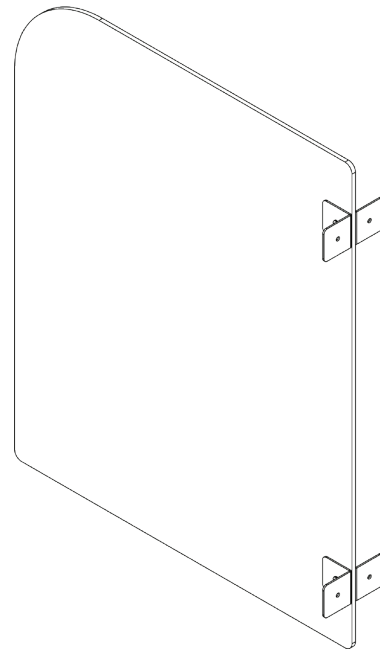
Angle Bracket



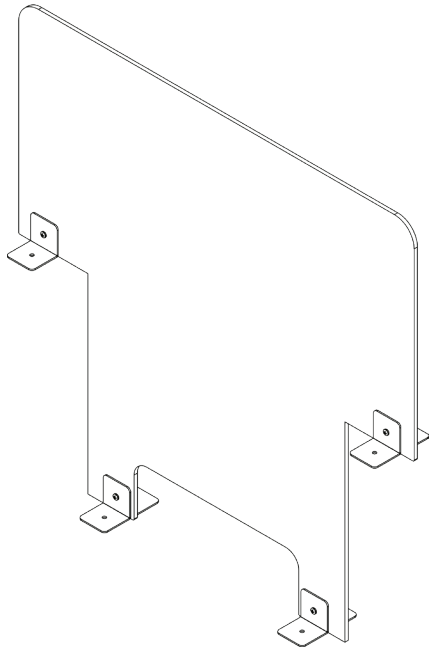
Decorative Feet



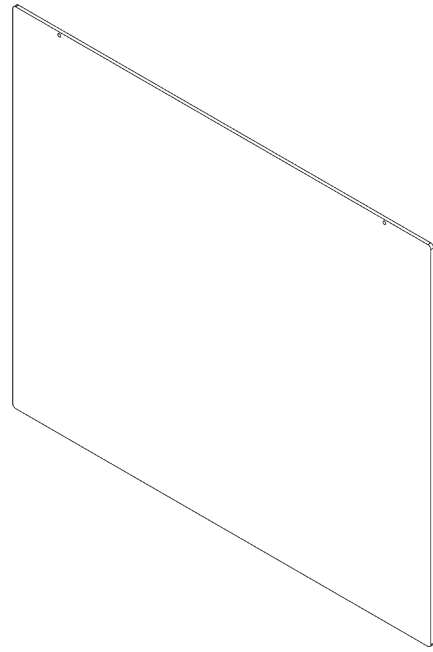
Counter Front



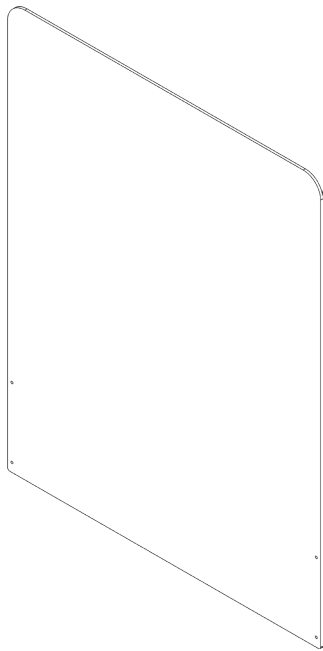
Projection Front



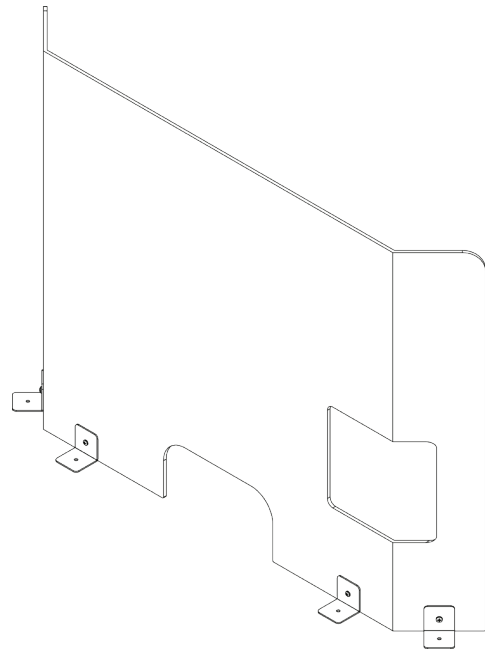
Teller Shield



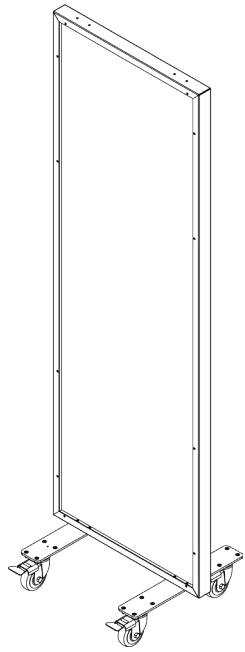
Ceiling Mount



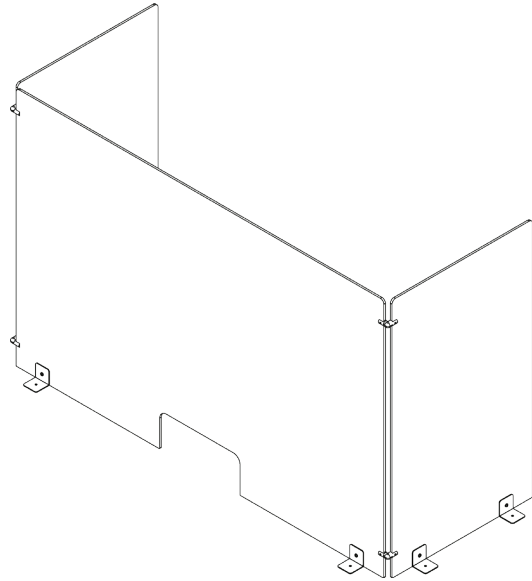
Clear



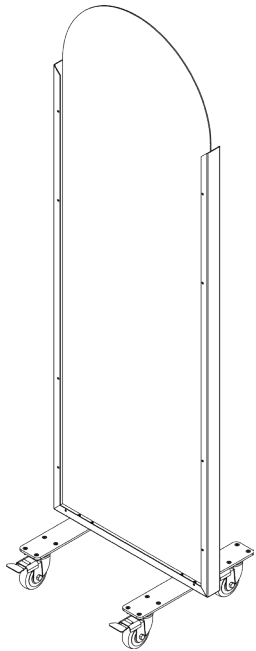
Side Flanges



Framed with Casters*



Adjustable Hinge



Rounded Frame with Casters*

*Available with or without casters

OUTSIDE REP

REGION

EMAIL

PHONE

INSIDE REP

REGION

EMAIL

PHONE