



H3 Kiosk

Howard H-Series H3

Smartly designed and competitively priced, Howard self service thru-the-wall kiosk supports a host of scanners, readers, and other devices. Each of these features are seamlessly and securely integrated into the kiosk and easily configure to deliver functionality specific to your organizational, customer, and employee needs.

Allow all of your services and payment actions to be in one place with the H3 Kiosk

Standard Package

- Speakers
- Camera
- On-site training & installation
- Receipt printer

Options

- 3G/4G Modem
- RFID Reader
- Biometric reader
- Ticket printer
- Intercom
- Keypad

Benefits

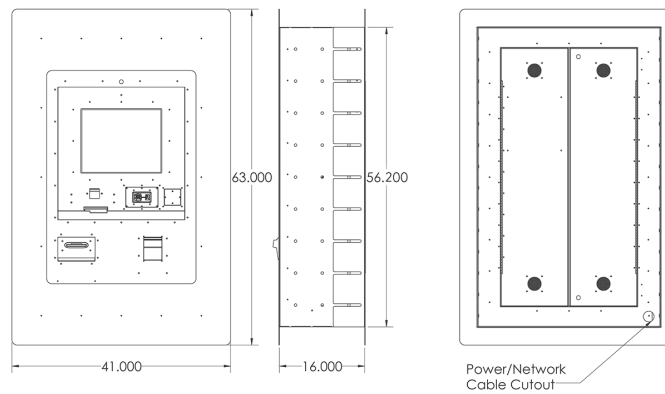
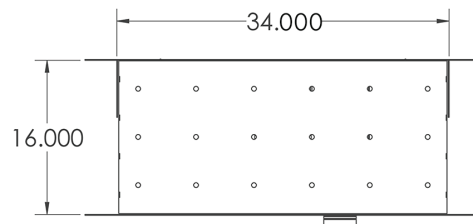
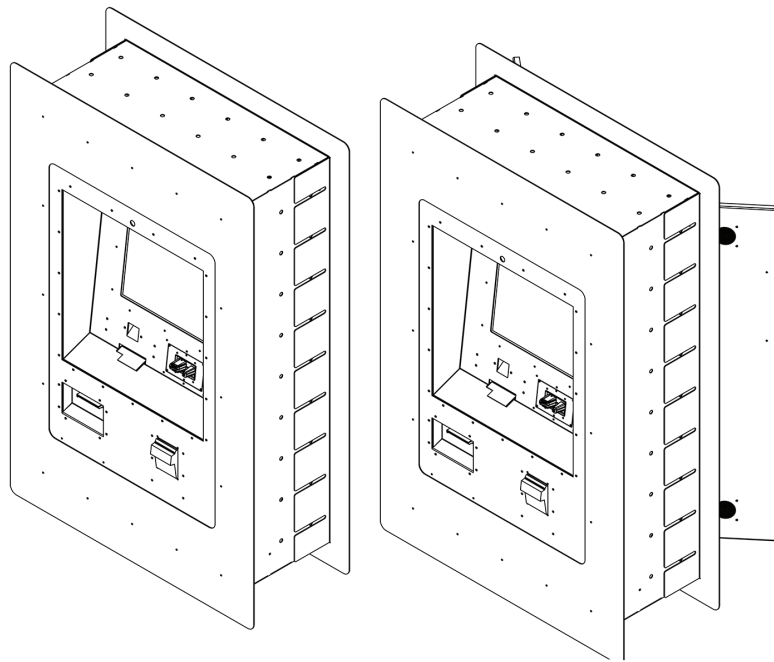
- Customer service support
- Improve customer experience
- Lower service costs
- Collect payments 24/7
- Open architecture design
- Customizable graphics/logos/colors

Specs

- Width: 41 in
- Height: 63 in
- Depth: 16 in
- Touchscreen: 19 in

Experience the Howard Kiosk Advantage today!

Howard H3 Kiosk—Measurements & Isometric View



General Information

howard.com

Toll Free: 1.888.323.3151

24/7 (excluding US holidays)

