



D1 Dual-Sided Kiosk

Howard D-Series D1, Dual-Sided

The Howard D1 kiosk incorporates a user-friendly platform to help customers and visitors find their way. Visiting as a newcomer can be hectic, at times, but wayfinding tools can be a key factor to improving these experiences. In addition to enhancing the visitor's overall experience, self-service kiosks can relieve employees in favor of other tasks and increase workplace efficiency in the process. Wayfinding kiosks can also be configured to promote additional services, specials, and websites.

Help users navigate destinations and encourage them to explore the surrounding area.

Basic Features

- Portrait digital signage layout
- Wi-Fi hotspot
- Camera
- Informational messaging
- Branding options (logo, colors, etc.)
- Date/Time

Benefits

- Simplifies directing users and customers
- Enhances overall visit experience
- Show multiple path views
- 24/7 assistance
- Promotes website, specials and services

Content Features

- Digital signage features
- Offers creative services
- Web portal updating
- Kiosk status monitoring
- Usage statistics
- Cloud options
- On-premise option

Howard D1 Dual-Sided Specs

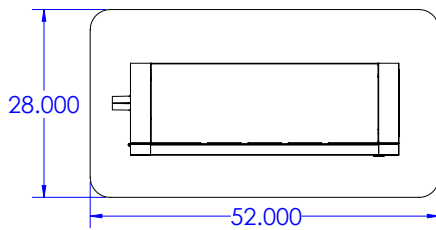
- Width: 52 in
- Height: 84 in
- Depth: 28 in
- Touchscreen: 55 in

Experience the Howard Kiosk Advantage today!

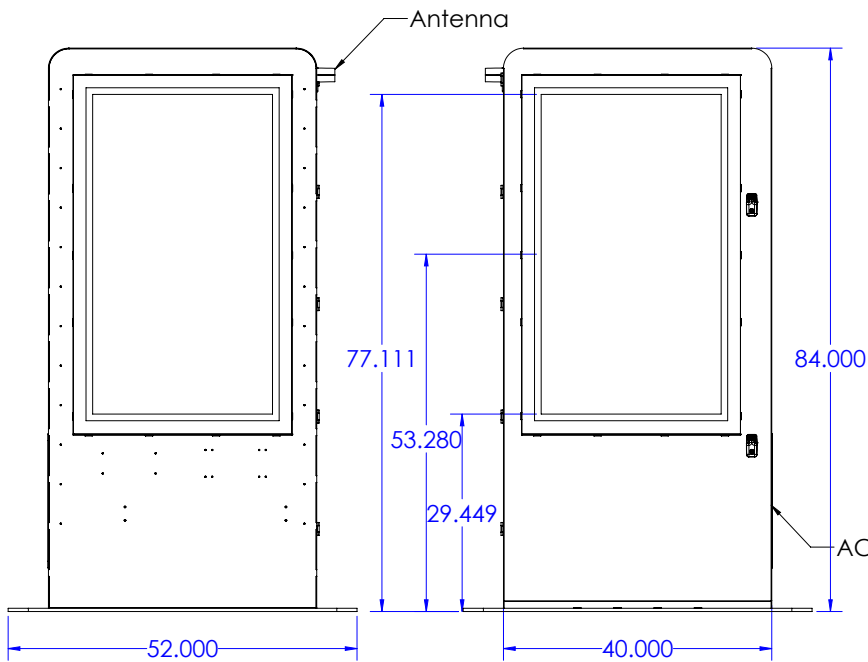
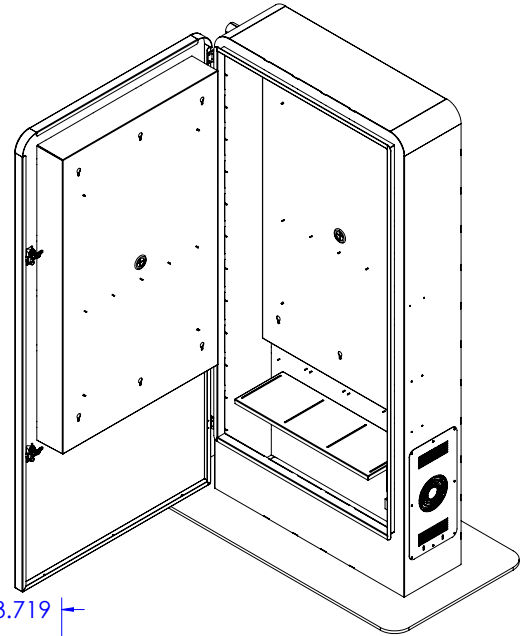
howard.com | 1.888.912.3151



Howard D1 Dual-Sided Kiosk—Measurements & Isometric View

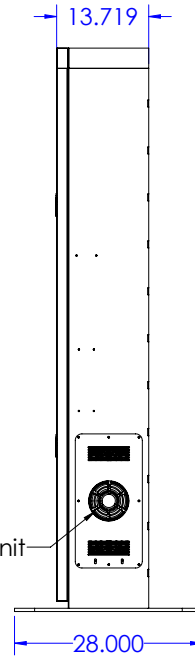


Top View

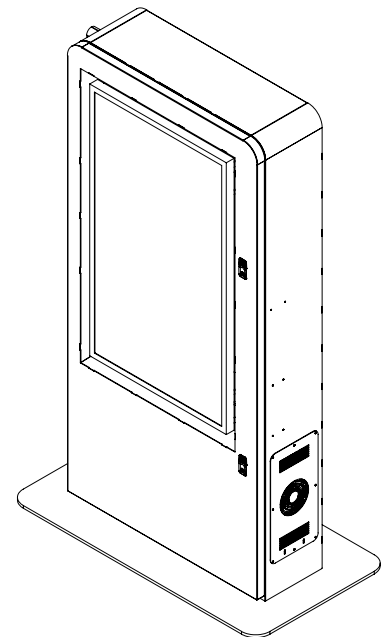


Rear View

Front View



Right View



General Information

howard.com

Toll Free: 1.888.323.3151

24/7 (excluding US holidays)