



# Countertop Self-Service Locker

## Howard Countertop Self-Service Locker

Grow your business, streamline workflows, and increase customer satisfaction with self-service lockers for a contactless BOPIS solution from Howard. These efficient, automated dispensing solutions allow customers to pick up orders in-store, curbside or from centralized locations quickly and without interacting with store personnel—convenient, contactless self-service in seconds. Each locker can be configured for heated and cooled temperatures to accommodate prepared food items or set to the ambient temperature for items with no special requirements. Howard pick-up lockers come with omni-channel features, such as mobile ordering and prepayment, so you don't have to wait. Make work easier and customers happier with a customized, self-service locker solution from Howard!

Streamline your workflow with contactless self-service with a Howard self-service locker!

### Standard Package

- 16 Gauge Mild Steel
- 3 Electronically Latched Doors
- Wi-Fi Capabilities
- Handles for Easy Transportation
- Creates an Efficient Portable Storage Space

### Content Features

- HD Touchscreen
- Customizable
- Easy-to-follow on-screen graphics
- Target messaging
- Unlimited designs available
- Anti-microbial screens and paint finishes
- QR Code
- ADA Compliant
- 24/7 Access
- LED Lights

### Solutions

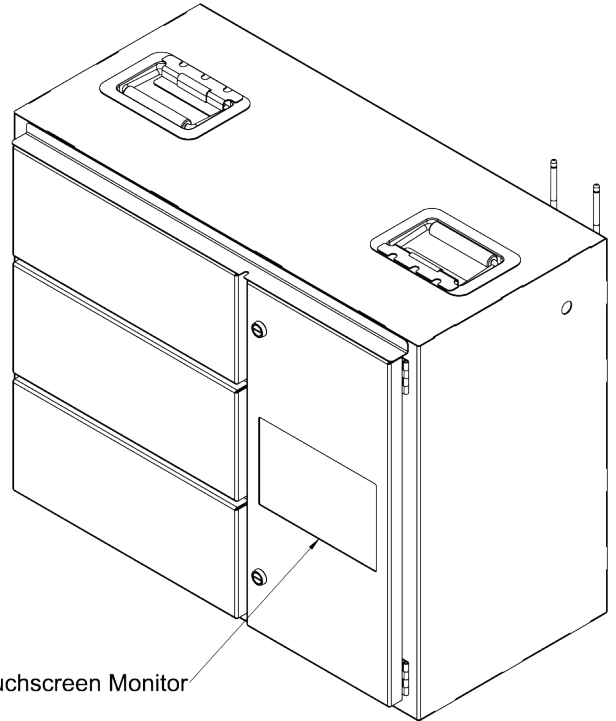
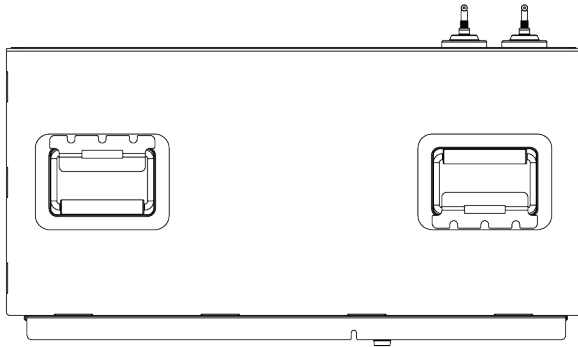
- Transition seamlessly from online purchase to contactless pick-up for an improved customer experience
- Improve staff efficiency while providing improved safety to customers

### Specs

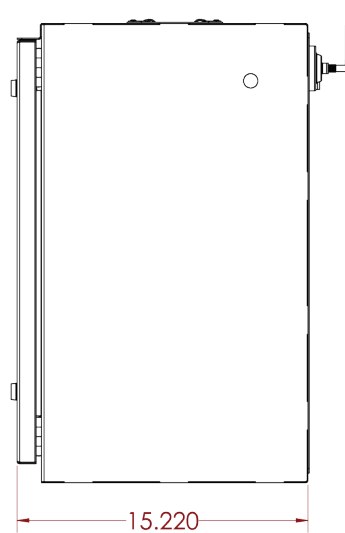
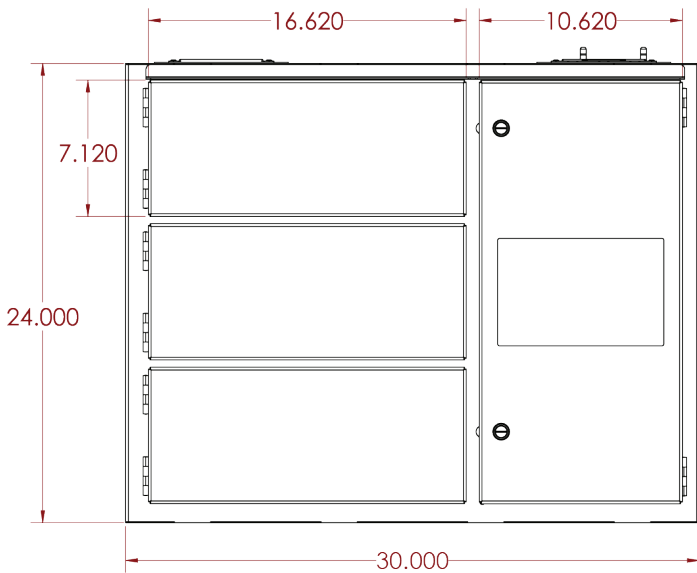
- Width: 30 in
- Height: 24 in
- Depth: 15.2 in
- Touchscreen: 10.1 in

Experience the Howard Advantage today!

# Howard Self-Service Locker—Measurements & Isometric View



10.1" Touchscreen Monitor



**General Information**  
howard.com  
Toll Free: 1.888.323.3151  
24/7 (excluding US holidays)