



# A2 Kiosk

## Howard A-Series A2

Table top kiosks are ideal for use in a variety of business applications—airports, banks, libraries, utility companies, and more. They help eliminate long waits and make ordering, updating information, and payment processes smoother, faster, and more secure, all of which contributes to a more positive customer experience. Table-top kiosks are less expensive than full-size models and much easier to move from one location to another as needs dictate.

Allow all of your services and payment actions to be in one place with the A2 Kiosk

### Standard Package

- Speakers
- On-site training & installation

### Options

- 3G/4G Modem
- RFID Reader
- Biometric reader
- Intercom
- Camera

### Benefits

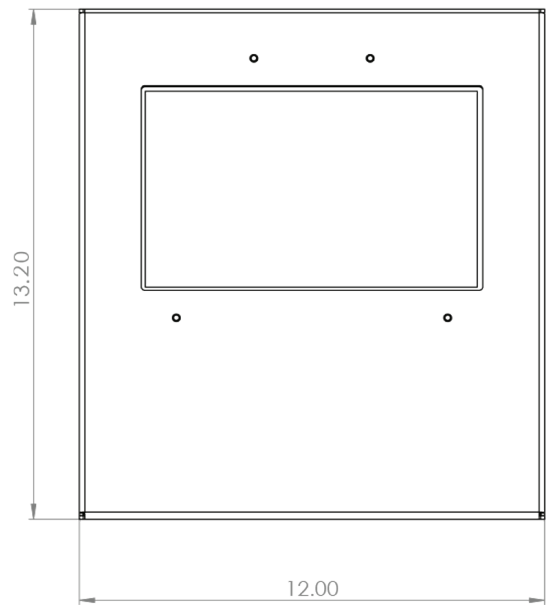
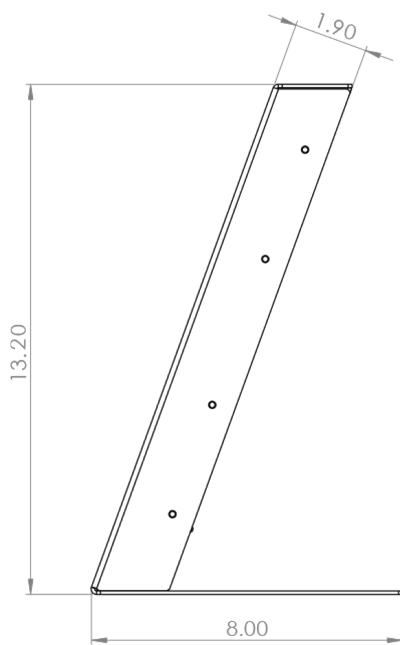
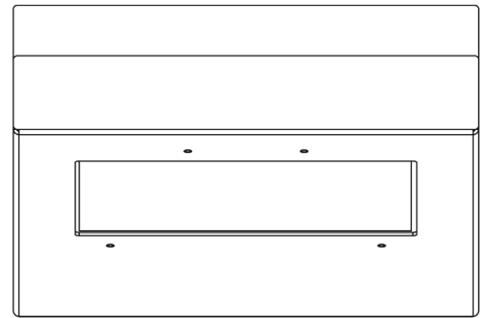
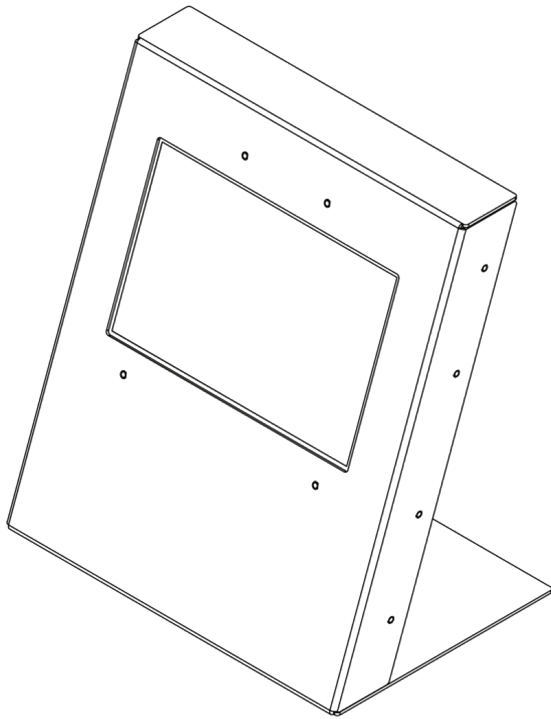
- Customer service support
- Improve customer experience
- Lower service costs
- Open architecture design
- Customizable graphics/logos/colors

### Specs

- Width: 12 in
- Height: 13.2 in
- Depth: 1.91-8.02 in
- Touchscreen: 10-12 in

Experience the Howard Kiosk Advantage today!

# Howard A2 Kiosk—Measurements & Isometric View



**General Information**  
howard.com  
Toll Free: 1.888.323.3151  
24/7 (excluding US holidays)