



A1 Kiosk

Howard A-Series A1

Table top kiosks are ideal for use in a variety of business applications-airports, banks, libraries, utility companies, and more. They help eliminate long waits and make ordering, updating information, and payment processes smoother, faster, and more secure, all of which contributes to a more positive customer experience. Table-top kiosks are less expensive than full-size models and much easier to move from one location to another as needs dictate.

Allow all of your services and payment actions to be in one place with the A1 Kiosk

Standard Package

- Speakers
- On-site training & installation

Options

- 3G/4G Modem
- RFID Reader
- Biometric reader
- Intercom
- Camera

Benefits

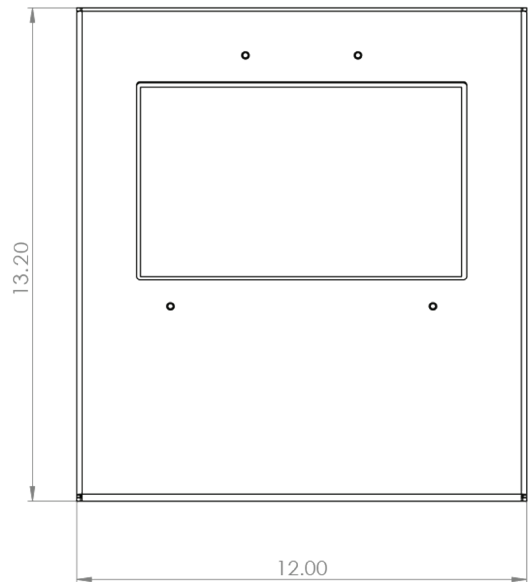
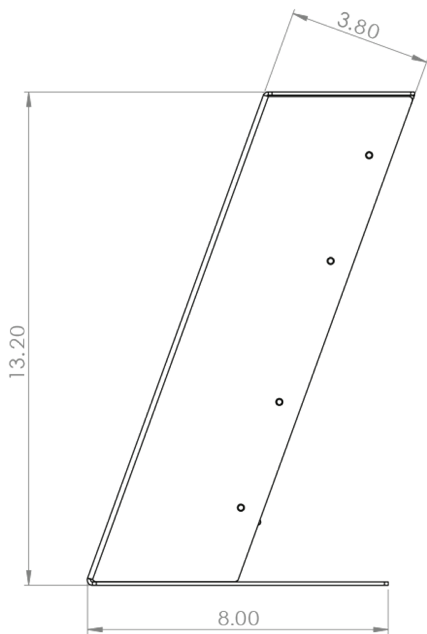
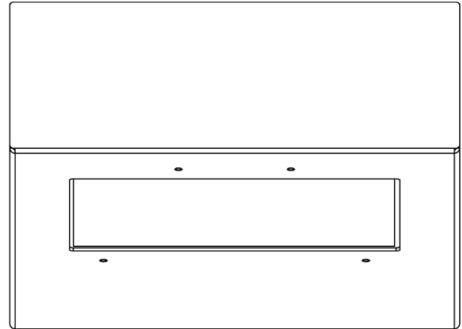
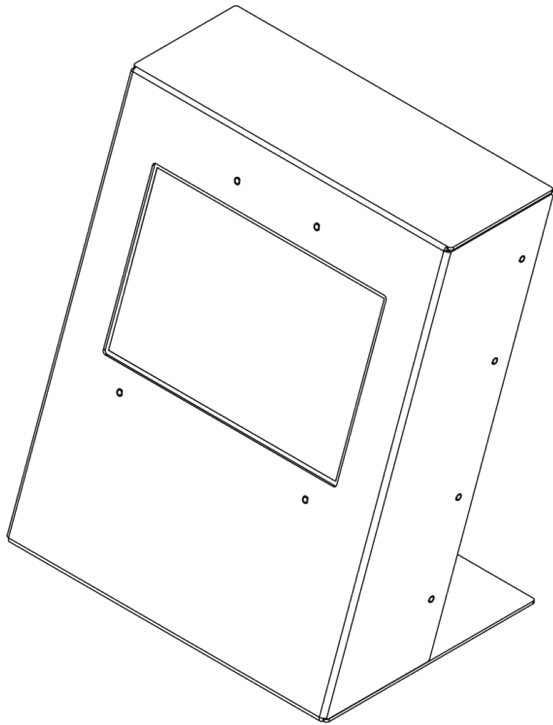
- Customer service support
- Improve customer experience
- Lower service costs
- Open architecture design
- Customizable graphics/logos/colors

Specs

- Width: 12 in
- Height: 13.2 in
- Depth: 3.79-8.02 in
- Touchscreen: 10-12 in

Experience the Howard Kiosk Advantage today!

Howard A1 Kiosk-Measurements & Isometric View



General Information
howard.com
Toll Free: 1.888.323.3151
24/7 (excluding US holidays)