

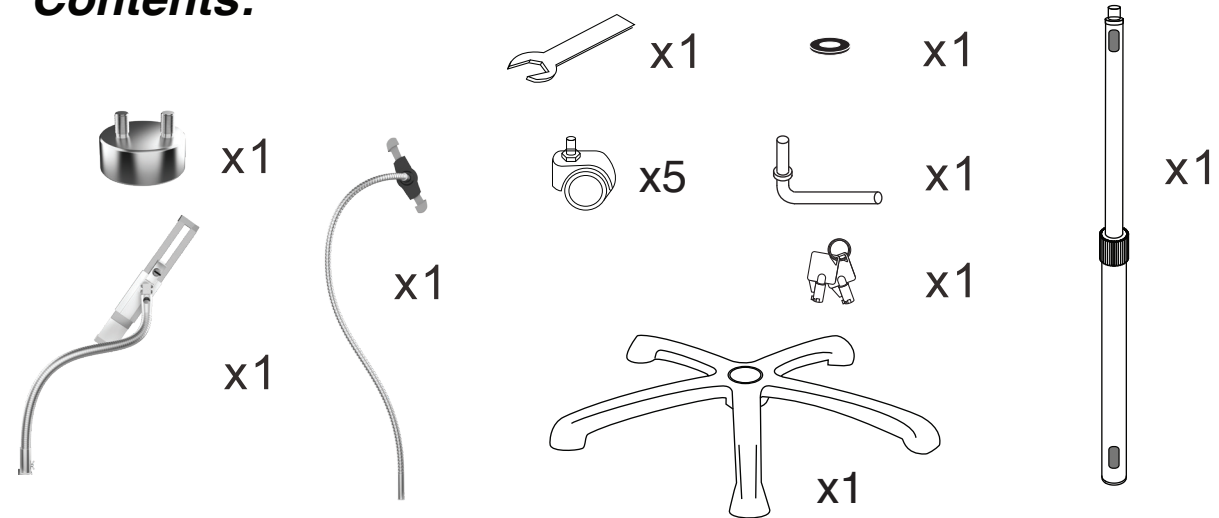


Heavy-Duty Security Floor Stand with DUAL Goosenecks for Phone and Tablets

USER MANUAL

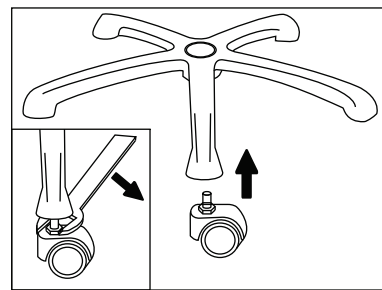
PAD-SHFS2P

Contents:

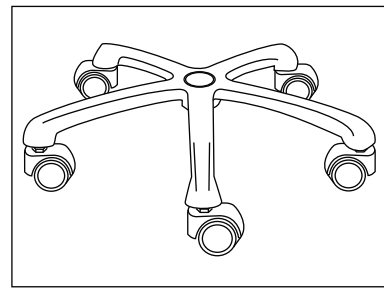


Instructions:

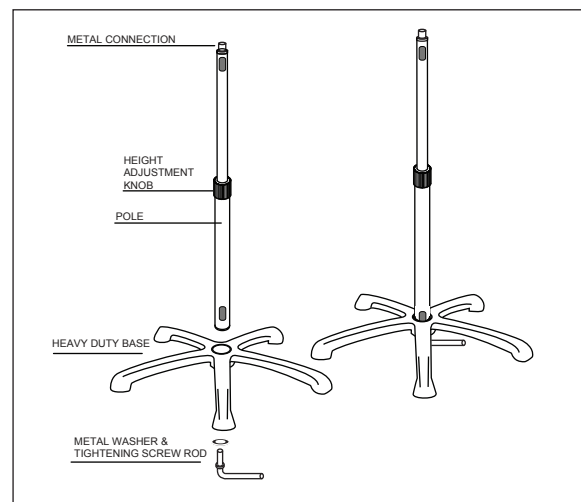
1. Installing the Wheels on the Base Components



1. Connect wheels to stand base before attaching pole. Screw wheels into floor base by hand, then use wrench to securely tighten.



2. Setting up Stand Assembly



1. Insert the pole into the center of the heavy duty base.
2. Place metal washer over tightening screw rod, then screw into the bottom side of the stand base center. Turn clockwise to securely tighten.

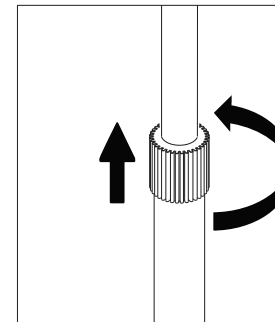
3. Installing Components Together



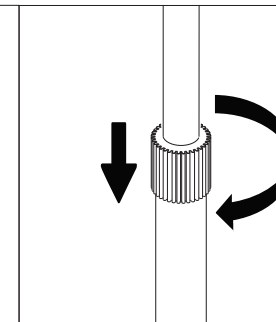
1. Take the base and screw on dual adapter first.
2. Once securely attached, screw on tablet and phone goosenecks as shown to the left.

**Phone and Tablet Not Included and for Demonstration Only*

When Adjusting Pole Height

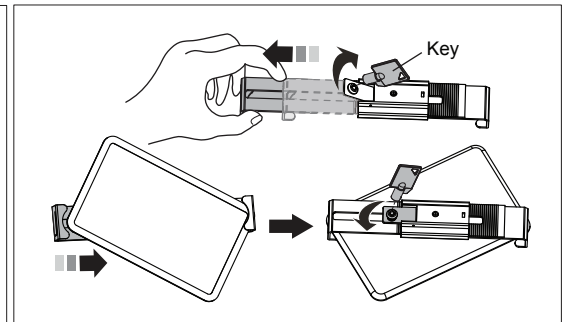


1. Rotate to loosen grip



2. Raise or lower metal pole to desired height. Rotate opposite direction to tighten and secure height.

Placing Tablet in Security Holder



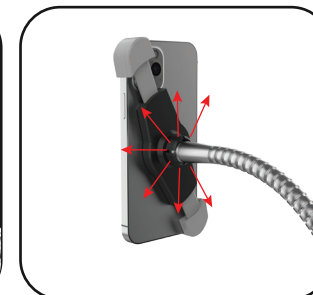
1. Insert key into lock at the back of holder. Turn counter-clockwise to unlock, then slide and extend arms to open. Insert tablet on fixed end, then slide arms closed. Turn key clockwise to tighten.

When Setting Up Phone Holder

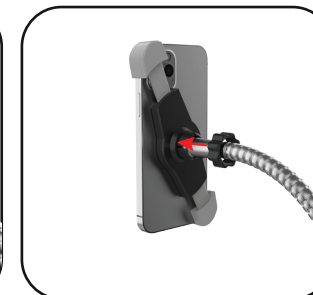


***Phone Not Included For illustration purposes only*

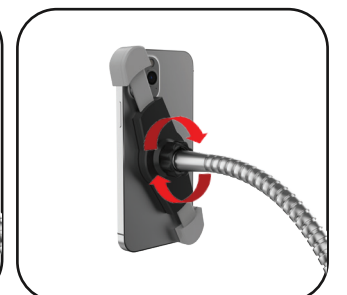
1. Attach the phone hold to the end of the ball joint side of the gooseneck. Just apply some force and there should be a snap into place.



2. Adjust the tilt to whatever angle/orientation you would like the phone to be.



3. Slide the ring through the gooseneck until it meets the back of the phone holder



4. Rotate clockwise until securely fastened.