



FIXED SOLUTIONS



WALL-MOUNTED ARMS



Strategically placed, wall-mounted arms increase efficiency by providing more access points for readily available data. Howard Medical wall-mounted arms include solutions for both patient rooms and high traffic areas, helping clinicians improve work flows and provide better patient care. The height adjustable and side-to-side panning capability of both the keyboard and display enables clinicians to interact with their patients while entering data.

FEATURES

- Articulating arms allow caregivers to chart while maintaining eye contact with patients
- Medical-grade surfaces
- Independent mounting allows for customized distancing between keyboard and monitor
- Cable management provided for both monitor and keyboard
- Dual arm setup allows for independent customized reach options on both monitor and keyboard
- Ergonomically friendly negative tilt keyboard adjustment with sliding mouse tray
- Tilts and swivels with portrait to landscape display capabilities
- Accommodates up to 24" monitors
- Includes both 75/100 VESA mounting options with easy installation slots
- Unit can fold up to less than 6" from wall (ultra flush mount folds to less than 4" from wall)
- Standard flip down work surface with spill guard and magnetic whiteboard surface
- Integrated LED keyboard





CONDOR LITE ARM



CONDOR ARM



FALCON LITE ARM



FALCON ARM



DIMENSIONS

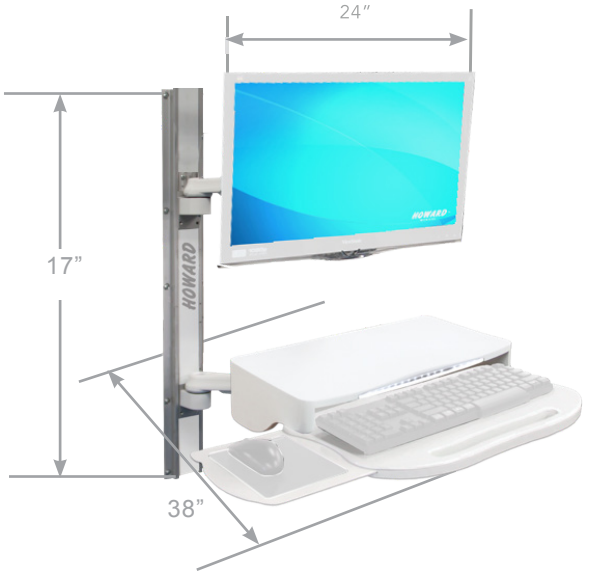
The dimensions and data below is a comparison of the various wall-mounted arms. Contact your local Howard Medical Account Executive for further information.

CONDOR LITE ARM		
Overall Dimensions (in)	Height	17.0
Work Surface Load (lbs)	Max	20.0
Folding Back To (in)		10.0
LCD Screen Size (in)	Max	24.0
VESA Mounting Plates		75/100

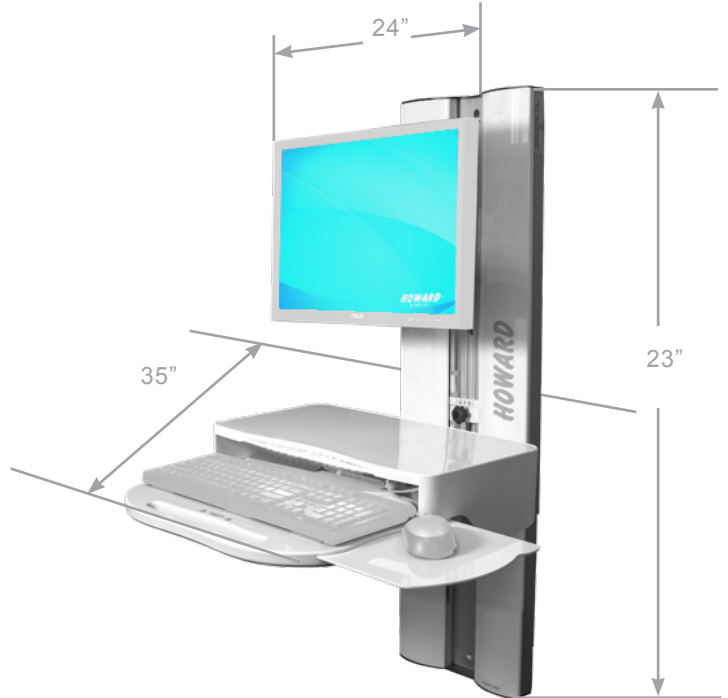
CONDOR ARM		
Overall Dimensions (in)	Height	23.0
Work Surface Load (lbs)	Max	20.0
Folding Back To (in)		10.0
LCD Screen Size (in)	Max	24.0
VESA Mounting Plates		75/100

FALCON LITE ARM		
Overall Dimensions (in)	Height	17.0
Work Surface Load (lbs)	Max	20.0
Folding Back To (in)		>9
LCD Screen Size (in)	Max	24.0
VESA Mounting Plates		75/100
Height Adj. Range (in)		6.5

FALCON ARM		
Overall Dimensions (in)	Height	17.0
Work Surface Load (lbs)	Max	20.0
Folding Back To (in)		>9
LCD Screen Size (in)	Max	24.0
VESA Mounting Plates		75/100
Height Adj. Range (in)		6.5



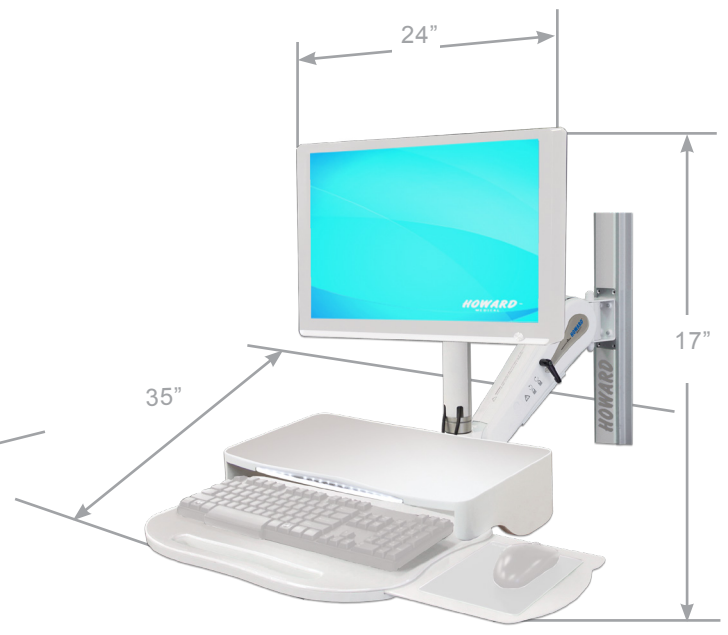
CONDOR LITE ARM



CONDOR ARM



FALCON LITE ARM



FALCON ARM

WALL-MOUNTED CABINETS



Howard's wall-mounted cabinets provide the optimal solution for charting and education in patient rooms, hallways, and exam rooms. Strategically placed wall-mounted computing stations increase efficiency by providing more access points to ensure data is readily available, and convenient storage features add to their usefulness by allowing quick access to stored equipment and supplies.

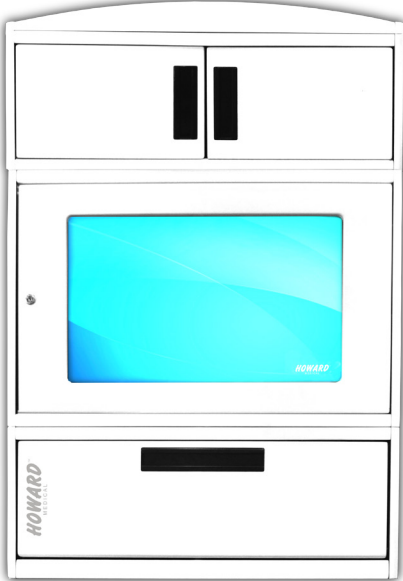
FEATURES

- Computing stations meet or exceed all applicable health code and regulations such as: HIPAA, Joint Commission (JCAHO) and the ADA while also adhering to standard life safety and OSHPD requirements
- Large, retractable work surface with custom configurations available
- Curved edges prevent injury and dust accumulation
- Multiple locking system options, including keyed and keypad entry
- Easily accommodates a wide range of PCs and additional equipment in other compartments
- Takes up less space in patient rooms, maximizing the use of space and increasing staff efficiency
- Designed for ergonomics, function, efficiency and safety
- Easy to install and maintain
- Provides a convenient, sleek, and rugged solution for protecting your facility's computer while saving space
- Medical-grade surfaces





AUXILIARY STORAGE CABINET



USFF CABINET



ALL-IN-ONE CABINET

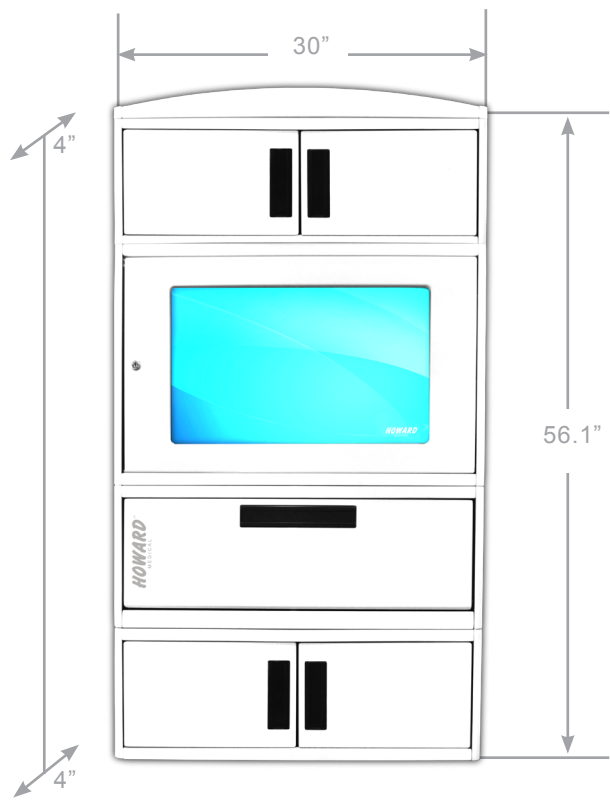
DIMENSIONS

The dimensions and data below is a comparison of the various wall-mounted cabinets. Contact your local Howard Medical Account Executive for further information.

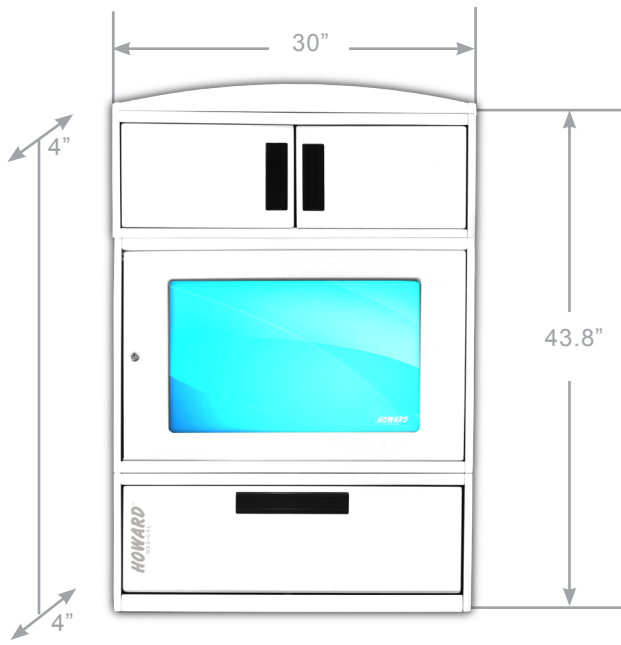
USFF		
Overall Dimensions (in)	Height	43.8
	Depth	4.0
	Width	30.0
Retractable Work Surface (in)	Max	26.0

AUXILIARY STORAGE		
Overall Dimensions (in)	Height	56.1
	Depth	4.0
	Width	30.0
Retractable Work Surface (in)	Max	26.0

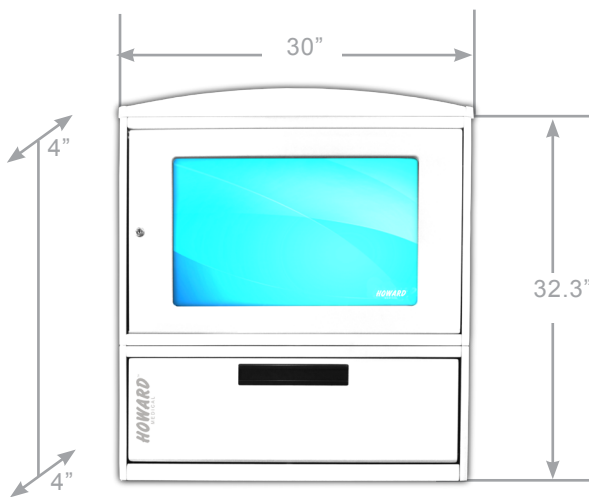
ALL-IN-ONE		
Overall Dimensions (in)	Height	32.3
	Depth	4.0
	Width	30.0
Retractable Work Surface (in)	Max	26.0



AUXILIARY STORAGE CABINET



USFF CABINET



ALL-IN-ONE CABINET



WARRANTY

Howard Medical's commitment to providing unmatched customer service and support continues long after a sale is final. Our technology staff provides 24/7 technical support (excluding US holidays) for as long as you own your Howard product. Our friendly, US-based team of experts will answer your questions about the product, hardware setup, or installation, and with telephone hold times of typically less than a minute.



Standard Limited Warranty on Powered Medical Carts:

- 3-year standard warranty
- 3-year mechanical
- 3-year electrical
- 3-year lithium phosphate battery defect
- 3-year lithium phosphate battery performance

Standard Limited Warranty on Non-Powered Medical Carts:

- 3-year standard warranty
- 3-year mechanical

Upgraded Limited Warranty on Powered Medical Carts:

- 5-year mechanical
- 5-year electrical
- 5-year lithium phosphate battery defect
- 5-year lithium phosphate battery performance

Fixed Solutions:

- 5-years on wall-mounted arms
- 3-years on wall-mounted cabinet

Computers and Other Peripheral Devices:

- See manufacturer's warranty

for our full warranty information, please visit <https://www.howardcomputers.com/support/warranties.cfm>

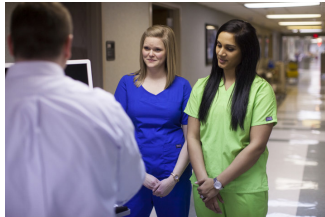


PROFESSIONAL SERVICES

The Howard Medical Professional Services Team has technical specialists nationwide and is known as one of the industry's premier service providers, with a history of successfully serving clients for more than a decade. Our dedicated employees are completely focused on customer satisfaction, giving Howard Medical the resources to provide a solution that is just right for you. Whether your project is large or small, single-site or across multiple facilities, you can trust our experience to work for you!



Deployment Consultation



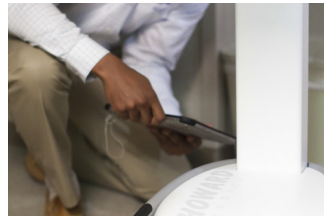
In-Service Training



Technical Integration & Setup
Training / Consultation



On-Site Setup and Integration



On-Site Repair



Preventative Maintenance

We Also Offer:

- Complete In-Factory Integration
- Technical Training
- Equipment Cleaning With Disinfectants
- Service Level Agreement
- Battery Replacement Program
- Product Removal and Recycling
- Technology Installation
- Annual Fleet Audit
- In-Factory Imaging
- White-Glove Delivery With Trash Removal

for our full services information, please visit https://www.howardcomputers.com/Support/pro_services.cfm



CONNECT WITH US



General Information
Toll Free: 1.888.912.3151

Web
www.howard.com
Live chat available M-F, 8-5 CST

Customer & Technical Support
Toll Free: 1.888.323.3151
24/7 (excluding US holidays)