



## HI-Swift Cart



# HI-Swift

The non-powered HI-Swift, at a weight of only 27 pounds, redefines mobility. Constructed of high-density plastic and aluminum, the HI-Swift is incredibly lightweight, making it easier for clinicians and other medical professionals to maneuver it in and around tight spaces.



## Features:

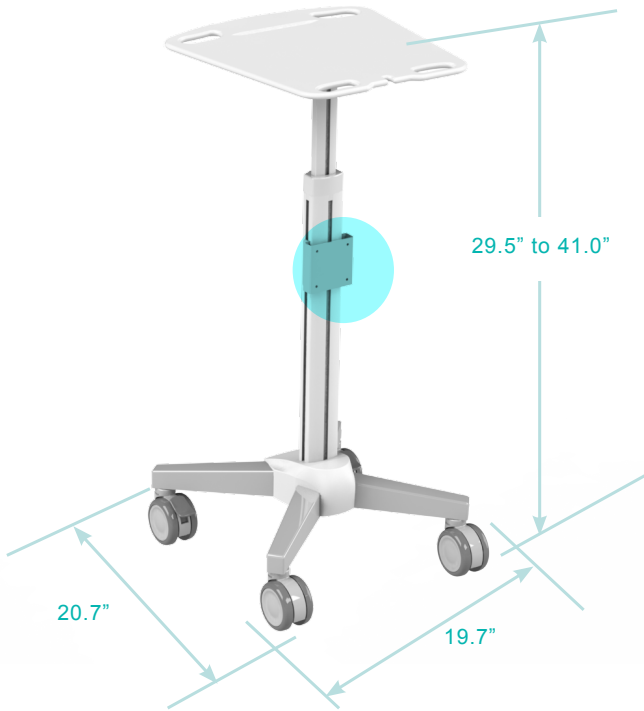
- The worksurface can be manually height adjusted, and locked into any position
- Constructed of lightweight materials
- Includes integrated front and rear handles and an integrated pen slot
- (4) 4" casters that have the same color and style as HI-Care and HI-Core carts
- Front two casters are locking
- The work surface accommodates a wide range of notebooks
- The optional tablet mount version supports a wide range of tablets, including iPad and Microsoft Surface
- Tablet mount allows for adjustment in various ways: move toward or away from the user, height can be adjusted, tilt up or down, swivel left and right, rotate from portrait to landscape, quick release from the mount for hand-held use
- The notebook version is a flat surface, and this configuration supports a wide range of tablets and notebooks
- The rear accessory mount uses the same pattern as many other Howard carts, making this cart compatible with a large range of optional, light-duty accessories

# Cart Dimensions

Howard Medical offers several accessory mounting options and configurations that provide a smoother and more sanitary work flow. With hundreds of options and configurations available, you can tailor your cart to best fit your facility's needs and applications.

## OVERALL DIMENSIONS

HI-Swift Cart		
<b>Cart Weight (lbs)</b>	<b>Notbook</b>	27.0
	<b>Tablet</b>	30.0
<b>Overall Dimensions (in)</b>	Width	19.7
	Depth	20.7
<b>Work Surface Size (in)</b>	Width	19.7
	Depth	20.4
<b>Work Surface Height Adj. (in)</b>	Area (Ft <sup>2</sup> )	2.2
	Min	29.5
<b>Base Footprint</b>	Max	41.0
	Width	19.5
<b>Caster Size (in)</b>	Depth	19.5
<b>Height Adj. Range (in)</b>		4.0
<b>Tablet Screen Size Support (in)</b>		11.5
	Min	7.9
<b>Tablet Weight Support (lbs)</b>	Max	13.0
		3.0
<b>Tablet Height- Top of Worksurface to VESA Center (lbs)</b>		12.1
<b>Tablet Tilt Angle (deg)</b>	Down	15°
	Up	60°
<b>Tablet Swivel Angle (lbs)</b>		+/- 90
<b>Laptop Mount Support- Supported Laptop Width (lbs)</b>	Min	11.0
	Max	17.5



Sani-Wipes Bracket



Glove Box Bracket



Hand Sanitizer Bracket



Hand Sanitizer Bracket for 1L Pump



2.2 Qt. Sharps Container Bracket



Handle with Basket



Mini Waste



# Professional Services

The Howard Medical Professional Services Team has technical specialists nationwide and is known as one of the industry's premier service providers, with a history of successfully serving clients for more than a decade. Our dedicated employees are completely focused on customer satisfaction, giving Howard Medical the resources to provide a solution that is just right for you. Whether your project is large or small, single-site or across multiple facilities, you can trust our experience to work for you!

- Annual Fleet Audit
- Care Protection Services Solutions
- Complete In-Factory Integration
- Equipment Cleaning With Disinfectants
- Equipment Disposal
- In-Factory Imaging
- In-Service Training
- On-Site Repair
- On-Site Troubleshooting
- Preventative Maintenance
- Technical Training
- Technology Installation
- Technical Integration & Setup Training/Consultation
- White-Glove Delivery With Trash Removal

## Care Protection Service Solutions



**Silver Service  
Level Agreement**



**Gold Service  
Level Agreement**



**Platinum Service  
Level Agreement**

Howard's Care Protection Service Solutions give any facility the ability to choose the level of service that works best for them.  
For our full services information, please visit [https://www.howardcomputers.com/Support/pro\\_services.cfm](https://www.howardcomputers.com/Support/pro_services.cfm)

**ACCOUNT EXECUTIVE:**

**REGION:**

**EMAIL:**

**PHONE:**

Web:  
[www.howard.com](http://www.howard.com)

**Customer & Technical Support:**

Toll Free: 1.888.323.3151  
24/7 (excluding US holidays)

**General Information:**

Toll Free: 1.888.912.3151

