

VC-A70H Lumens First 4K Ultra HD PTZ Camera

LumensTM
Brilliance by Design

The LumensTM VC-A70H 4K Ultra HD PTZ camera is equipped with a professional 1/2.3-type progressive scan “Exmor R” CMOS sensor with 9 megapixels output resolution that delivers a superb clear and vivid live image. The superior 12x optical zoom lens, excellent white balance, and exposure mode delivers a clear image even in low light or the extreme contrast of brightness and darkness of a conference room. The camera covers a wide shooting angle and utilizes a highly efficient DC motor servo controller to achieve high-speed, quiet and precise positioning movements with smooth PTZ operations. The VC-A70H HD PTZ camera has HDBaseT interfaces allowing Ultra HD resolution and long distance transmission up to 70 meters which carries power, video, and control through one CAT5e/6 cable. Lumens VC-A70H 4K Ultra HD PTZ camera is applicable for lecture capture, videoconferencing and broadcasting systems.

Key Features

- 4K UHD 30fps and 1080P 60fps video signal output format
- 12x optical zoom with 2x clear Image zoom, total 24x zoom
- 74 degrees Horizontal Field of View (HFOV)
- HDBaseT interface carries power, video and control through one CAT5e/6 cable
- HDMI and HDBaseT image output simultaneously
- Built-in Tally light
- Maximum horizontal/vertical speed of rotation: 300 degrees/sec
- Wide Pan/Tilt/Zoom mechanism:
Horizontal viewing angle: -170° to +170°
Tilting angle up to 90°, and down to -30°
- Up to 128 user defined preset modes to allow ease of use in all environments
- Clear images without blur even while being operated
- High speed, stable, quiet, and effortless positioning ensure the highest quality images



More Details

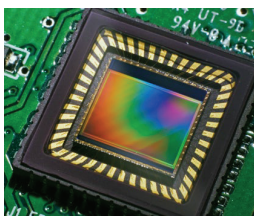


Image Quality

Equipped with a professional image sensor with 4K UHD 30 fps and Full HD 1080p 60fps output resolution providing high color reproduction, high definition, and a crystal-clear image. The VC-A70H has a professional 12x optical zoom lens that provides image details without any distortions.



Advanced Image Processing

The advanced AF/AE/AWB algorithm and circuit design ensures a pristine image during the pan, tilt, zoom & capture function.

Support HDBaseT Interface

The VC-A70H 4K Ultra HD PTZ camera has a HDBaseT interface. The camera only needs one CAT5e/6 cable for its power supply, control and video output. This feature not only simplifies the installation process, it also reduces system integration costs.



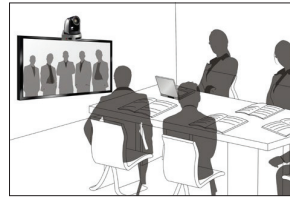
HDMI and HDBaseT Image Output Simultaneously

The VC-A70H supports HDMI and HDBaseT interface allowing two simultaneous image outputs with the best possible image quality.



Built-in Tally Light

The VC-A70H built-in tally light. The LED lights turn on when the camera is in operation. This is an essential function for a broadcast studio or any applications with more than two PTZ cameras.



Panoramic Viewing Angle

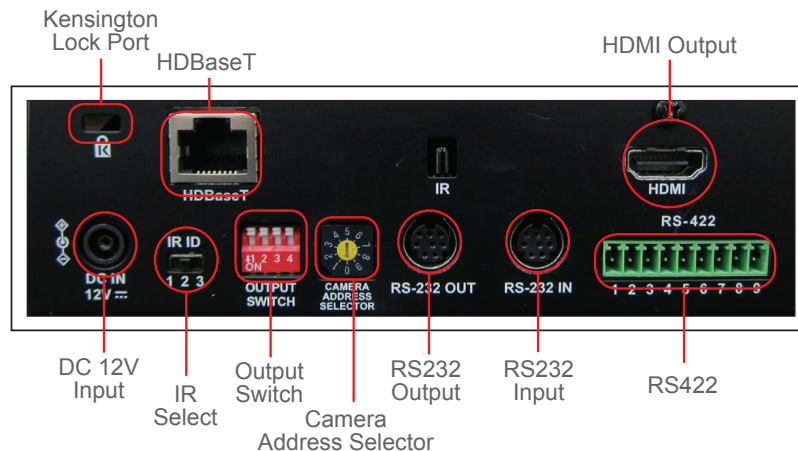
The VC-A70H has a panoramic 74° horizontal field of view that helps users achieve a wider viewing area.

Product Specifications

Sensor	1/2.3" 9MP CMOS
Video Output	3840 x 2160p 29.97 / 25 fps 1080p 59.94 / 50 fps 1080i 59.94 / 50 fps 720p 59.94 / 50 fps NTSC / PAL
Optical Zoom	12x
Clear Image Zoom	1.67x(4K:20x) 2.0x(1080P:24x)
Digital Zoom	12x
Video Output Interface	HDBaseT, HDMI
Horizontal Viewing Angle	74°
Panning Angle	-170° ~ +170°
Tilting Angle	-30° ~ +90°
Preset Positions	128
Panning Speed	300°/sec
Tilting Speed	300°/sec
Video S/N Ratio	> 50dB
Shutter Speed	1/1~1/10,000
Focal Length	3.9mm~46.8mm

Aperture	F1.8~F2.0
Tally Light	Yes
PoE	Yes(IEEE802.3af)
Camera Control Interface	RS232C/RS422
Camera Control Protocol	VISCA, PELCO D
Minimum Illumination	3.0 lux (F1.8, 50 IRE, 30 fps)
Minimum Object Distance	T:150 cm W:1 cm
Gain Control	Auto/Manual
White Balance	Auto, Indoor, Outdoor, One-Push, Manual
Exposure Control	Auto, Manual
Focus System	Auto, Manual
WDR	Yes
Image Flip	Yes
3D NR	Yes
Dimensions	174 x 170.2 x 186.8 mm (6.9" x 6.7" x 7.4")
Weight	2.0 Kg

I/O CONNECTIONS



LumensTM
Brilliance by Design
www.MyLumens.com

HOWARDTM

888.912.3151 | howardcomputers.com