

SP3-2216 Server

POWERED BY HOWARD INNOVATION



Manage and protect your assets

The right network attached storage solution, such as Howard's SP3-2216, can be a virtual goldmine to your business by saving you time and money. It also protects your data, not just from accidental damage and hardware failures, but from unauthorized users. With a private storage solution, your business remains just that, your business. It features remote access and automated backup to ensure seamless operation and minimize downtime.

Additionally, deduplication enables you to store up to 10 times more data on the same volume! Then there is virtualization, which allows you to run multiple operating systems and applications without the expense of additional hardware. The SP3-2216, with its capacity of two Xeon Scalable 3rd Generation family processors, 4TB of memory, and RAID, delivers all the power you need to manage and protect your assets.

Howard Storage Solutions Are Good for Business!



Intel, the Intel logo, Intel inside, Xeon, Core i7, i5 & i3 are trademarks of Intel Corporation in the US and other countries.

HOWARD

SP3-2216 Server Specifications

Chipset

Intel® 621A

Operating System

Microsoft Windows® 2019

Processors

Dual socket- Intel® Xeon 3rd Generation Scalable

System Memory

Up to 4TB of DDR4 (16 Slots, DIMMs)

Video VGA

Storage

(16) SATA/SAS3 2.5" hot-swap drive bays;
12GB SATA/SAS storage controller

- Optional DVD-ROM

Network

Dual 10GB Ethernet (RJ45)

Internal Ports

- (4) PCI Express 4.0 X 16 slots (Standard low profile-slp)
- (2) PCI Express 4.0 X 8 slots (Standard low profile)

*Only 2 PCI-E 4.0x16 (slp) & 1 PCI-E 4.0x8 (slp) available on one processor.

External Ports

- (1) VGA port (Video port)
- (4) USB 3.0 ports (rear)
- (2) USB 2.0 ports (front)
- (1) RJ45 Dedicated IPMI LAN port

Chassis Technical Specifications

Dimensions:
17.2"W x 3.5"H x 24.8"D (inches)

Drive Bays

(16) 2.5" Hot-swap drive bays

Form Factor: 1U Rackmount

Weight 69lbs

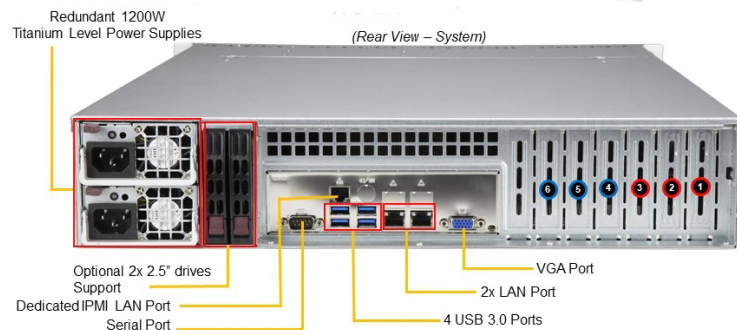
PSU 1200W Redundant power supplies

SP3-2216 FRONT VIEW



Slot	Description
0 - 15	2.5" Hot-swap SAS3 Drive Bays*

*SAS3 supported by RAID controller



Slot	Description
1	PCI-E 4.0 x8 Slot, Low Profile
2	PCI-E 4.0 x16 Slot, Low Profile
3	PCI-E 4.0 x16 Slot, Low Profile
4	PCI-E 4.0 x16 Slot, Low Profile
5	PCI-E 4.0 x16 Slot, Low Profile
6	16 PORT SAS/SATA 8GB Cache 12GB raid controller PCIe Gen 4.0 x8

CPU1 CPU2

Warranty & Support

- Howard Technology Solutions' standard warranties apply.
- FREE customer and technical support to purchaser via telephone or web for the life of the system.
- Expedite your troubleshooting process by participating in our Howard Technical Partnership Program (HTPP) which certifies your staff to perform basic hardware service and support. Contact us today for more information.

Contact Howard Technology Solutions for world-class service and support.

Online: www.howardcomputers.com/support

Phone: 1.888.323.3151

Email at tech@howardcomputers.com, or

Conventional mail at:

Howard Technology Solutions
36 Howard Drive
Ellisville, Mississippi 39437