



# W2 Kiosk

## Howard W-Series W2

Smartly designed and competitively priced, the Howard W2 kiosk supports a hosts of scanners, readers, keyboards, and other devices. Each of these features are seamlessly and securely integrated into the kiosk and easily configure to deliver functionality specific to your organizational, customer, and employee needs.

Allow all of your services and payment actions to be in one place with the W2 Kiosk

### Standard Package

- Web Service
- Secure Connectivity
- Speakers
- Camera
- On-Site Training & Installation
- Keypad
- Bi-Lingual
- Customized Programming

### Optional Components

- 3G/4G Modem
- RFID Reader
- Biometric Reader
- Ticket Printer
- Intercom
- Receipt Printer

### Benefits

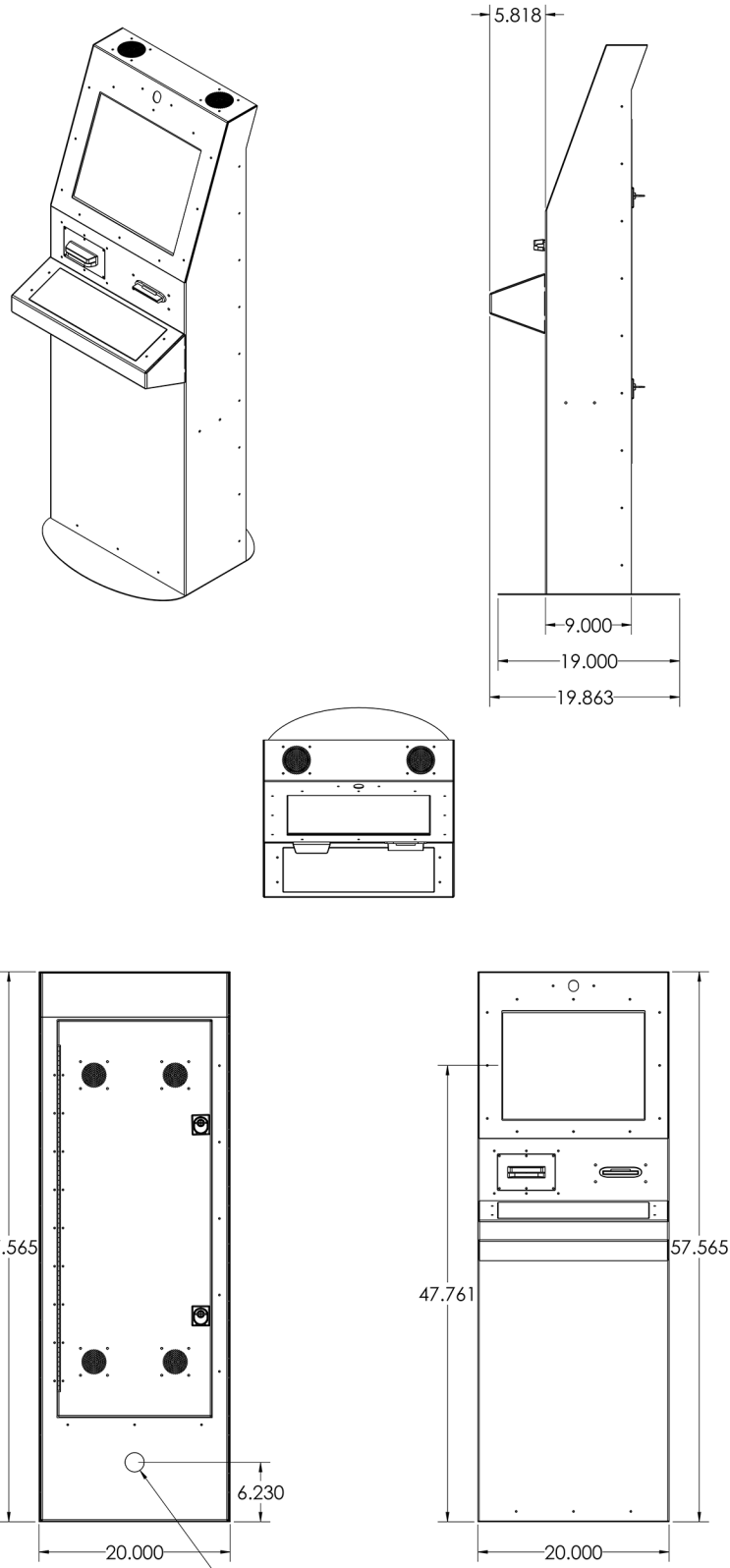
- Customer Service Support
- Improve Customer Experience
- Lower Service Costs
- Collect Payments 24/7
- Open Architecture Design
- Customizable Graphics/Logos/Colors
- Windows Platform Based
- PCI Compliant

## Howard W2 Specs

- Width: 26 in
- Depth: 17.315 in
- Height: 65.095
- Touch Screen: 19 in
- Ad Display: 15.6 in
- Weight: 175 lbs

Experience the Howard Kiosk Advantage today!

# Howard W2 Kiosk - Measurements & Isometric View



**General Information**  
howard.com  
Toll Free: 1.888.323.3151  
24/7 (excluding US holidays)

