



# R2 Kiosk

## Howard R-Series R2

Howard is steadily paving its way into the QSR industry to offer its clients a competitive offer. Introducing the Howard R2 kiosk, a QSR solution that will undoubtedly assist your business in growth and provide your customers the ultimate experience. While lowering the cost of operation, our kiosk will increase your profits and give you an advantage. Today is the day to see the real value in kiosks and how they can take your customer service to the next level.

Provide your customers with a gratifying experience that will be sure to bring them back.

### Standard Package

- Web Service
- Secure Connectivity
- Speakers
- Keypad
- Card Reader
- Bi-Lingual
- Receipt Printer

### Basic Features

- Double Monitors
- Touchscreen
- HD Display
- Customizable Software Package
- Easy to Follow On Screen Graphics
- Target Messaging
- Unlimited Designs Available

### Benefits

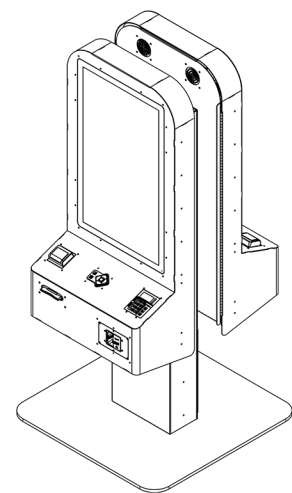
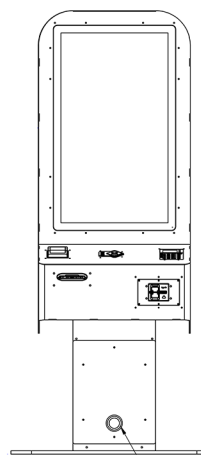
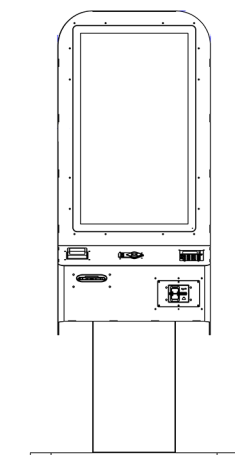
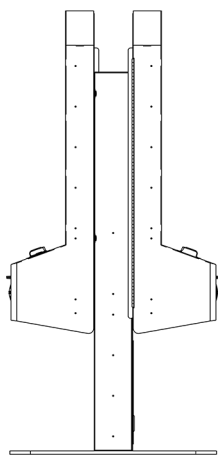
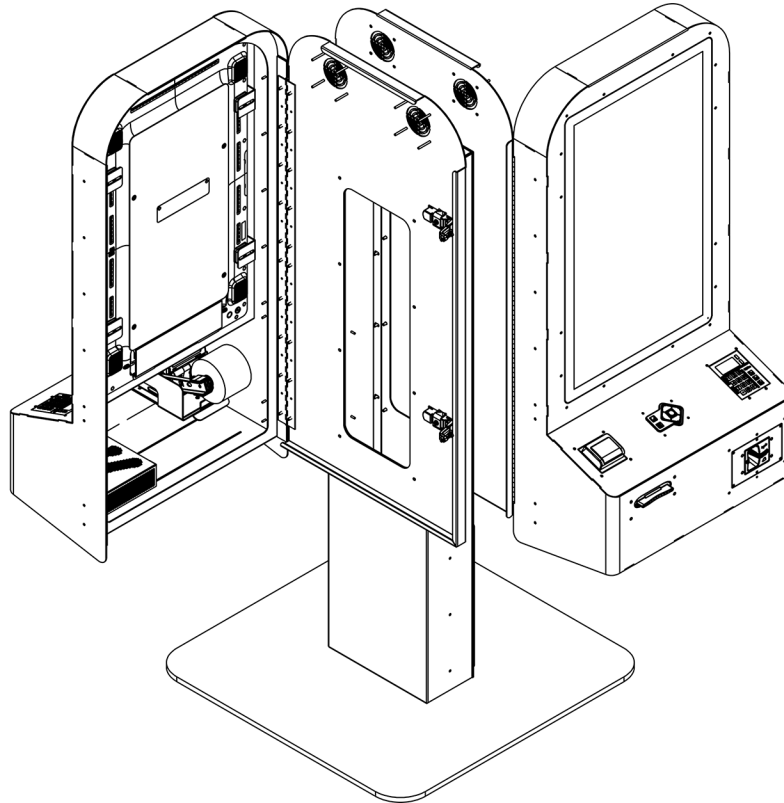
- Increase Order Size
- Ultimate Consumer Experience
- Consistently Up-Sell
- Fast Turnaround
- Labor Efficiency
- Reduce Theft
- Prevent Loss of Revenue

## Howard R2 Specs

- Touchscreen: 32 in
- Width: 22-30 in
- Height: 64.4 in
- Depth: 14-30 in

Experience the Howard Kiosk Advantage today!

# Howard R2 Kiosk - Measurements & Isometric View



**General Information**  
howard.com  
Toll Free: 1.888.323.3151  
24/7 (excluding US holidays)