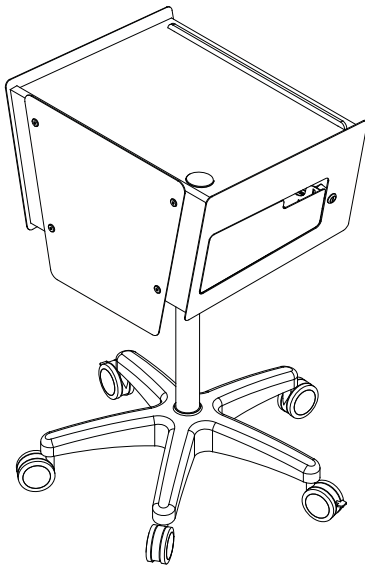
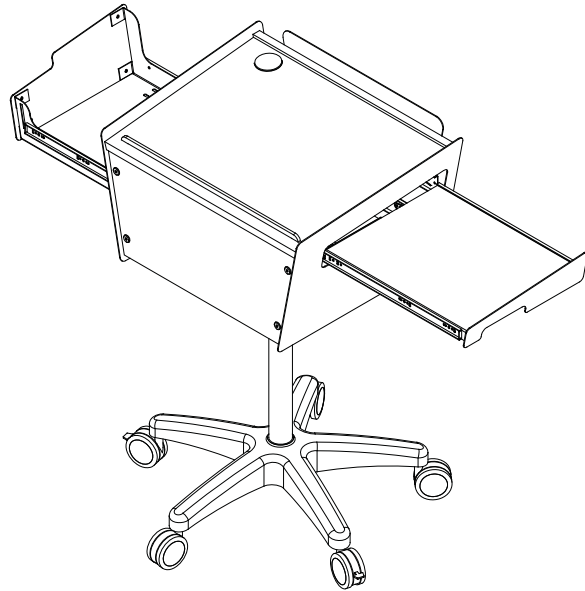


Technical Specifications

55255	Mobile Adjustable Podium
-------	--------------------------



Student-Side



Instructor-Side

The Mobile Adjustable Podium delivers the features found in many multimedia lecterns in only a portion of the space used. A locking pull-out tray can be used with projectors or other audio visual equipment, while an opposite pull-out shelf adds worksurface space for other important presentation items. The adjustable podium worksurface height goes from 31-1/8" to 41-3/8" to accommodate users of various heights. The MAP is an extremely mobile podium, catering to multiple purpose rooms and providing the flexibility to give professional presentations anywhere at any time.

Features and Benefits

- Locking, pull-out projector tray can store a portable projector
- Pull-out document camera / utility tray has a white surface for document shooting background
- Pneumatic cylinder provides 10½" of total vertical adjustment
- Five 3" (two locking) casters roll easily and quietly on uneven surfaces
- 20' retractable 7-amp power cord reel provides quick and easy power access
- One 2" cable grommet on the worksurface provides cable access
- Pencil edge keeps items on worksurface in place
- Durable, polished aluminum base
- Standard 6-outlet power strip for additional peripherals
- Aesthetics provide ergonomics and styling
- Small footprint saves space
- Scratch and impact resistant angled ¾" high-pressure laminate worksurface
- Optional quick-change logo panel simplifies adding or changing logos
- Warranted to be free of all defects in materials and workmanship with a 10-year warranty

Base Options
TW - 3" twin wheel casters

Options & Accessories
Page 3

Color Options

Wild Cherry / Aluminum (clear) (CHCL)	
Wild Cherry / Black (CHB)	
Indigo Organix / Black (IB)	
Indigo Organix / Aluminum (clear) (ICL)	

Standard color combination refers to the quickest deliverable product color combination. Custom laminates and color combinations are available—additional lead-times and up-charges may apply. Call 1-800-235-1262 for further information.

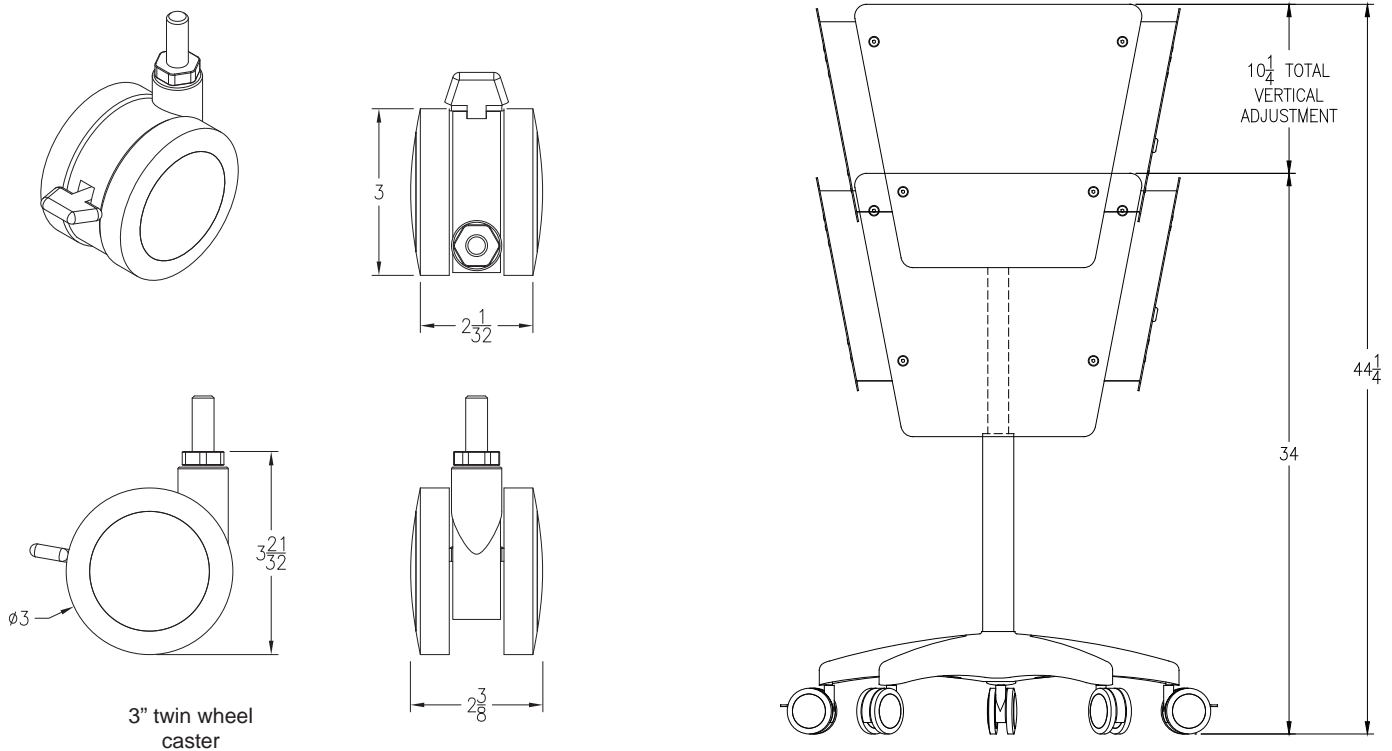
Construction

- The worksurface is constructed from 3/4" thick NAUF (No Added Urea Formaldehyde) composite board with .030 high-pressure laminate on one face, and a balancing phenolic backer on the opposing face
- Metal components consist of 16-gauge steel
- Cast, polished aluminum base
- Metal components are finished with a scratch-resistant powder coat epoxy
- Each Mobile Adjustable Podium is factory-assembled and packaged (the podium, base, and pneumatic cylinder require assembly)

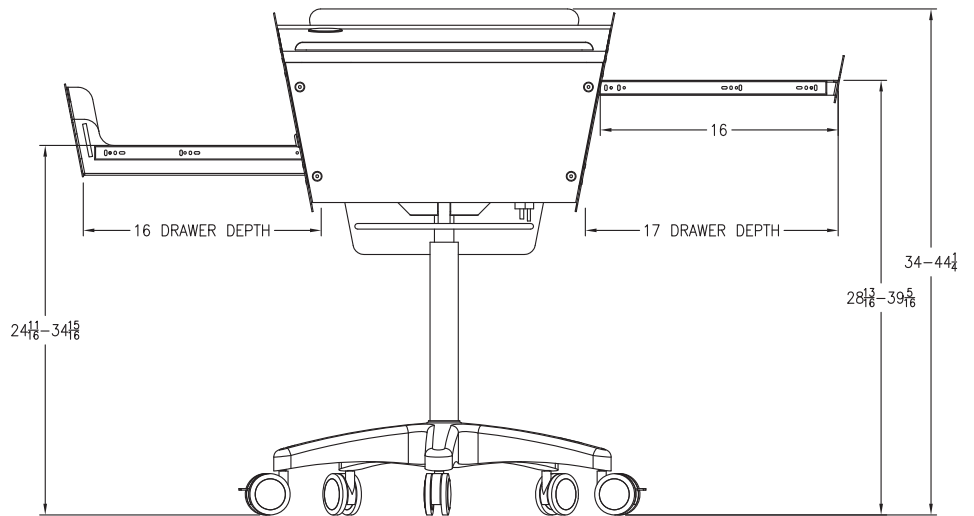
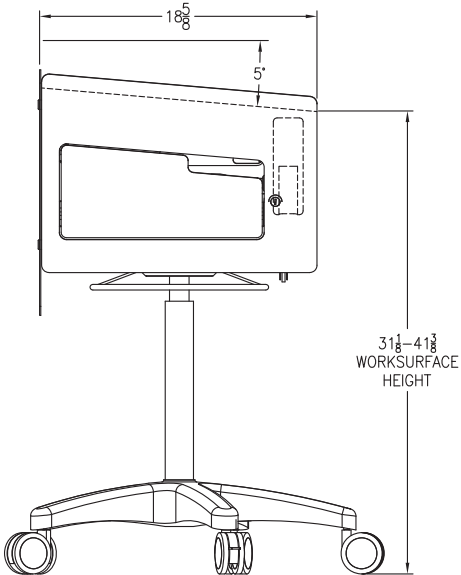
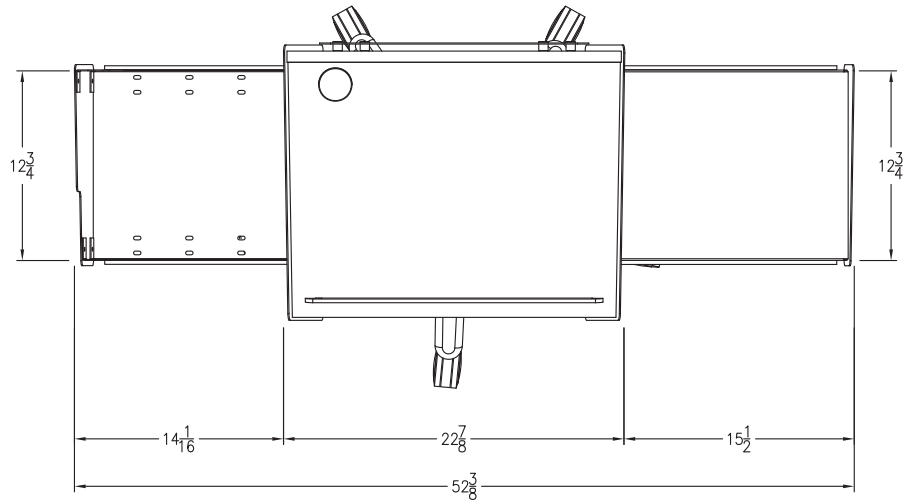
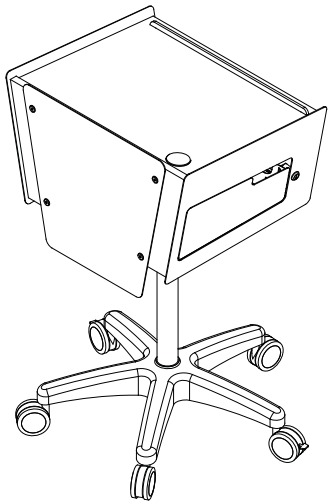
Capacity

Vertical adjustment	10 1/4"
Lift capacity	67.4 lbs (300N)
Worksurface	21 1/2"W x 17"D at 5° angle
Projector Tray	12 5/8"W x 16"D x 5"H weight capacity 20 lbs
Camera / Utility Tray	12 3/4"W x 16"D x 3/4"W weight capacity 5 lbs
3" twin wheel stem casters	weight capacity 165 lbs each (two locking)
Cord reel	20' retractable, 7-amp
Unit weight (nominal)	77 lbs
Shipping weight (nominal)	85 lbs
Meets or exceeds all ANSI-BIFMA test standards	
Notes	The Mobile Adjustable Podium cannot be shipped via UPS

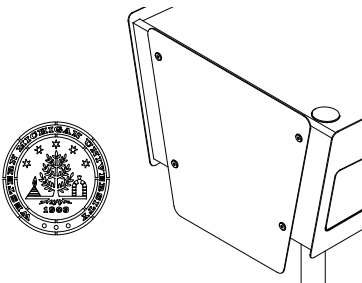
Specifications subject to change without notice



Mobile Adjustable Podium
(shown in fully-retracted position)



Option



Logo Plate
(student-side)
55226

Warranty

WE WILL MAKE IT RIGHT FOR YOU!

Spectrum is committed to provide complete customer satisfaction. Each of our products are manufactured from the best materials available and each product is stringently monitored throughout the production process through our P.A.C.E. program (Product Assurance to meet Customer Expectations). Our Customer Service Help Line 1-800-235-1262 is ready to provide immediate attention to any questions, comments or concerns. We are available to answer your calls Monday through Friday from 7 am to 5 pm CST, excluding observed holidays. In addition your product comments or concerns are welcome via e-mail at: spectrum@spectrumfurniture.com.

Warranty Statement

We guarantee all Spectrum products to be free of all defects in materials and workmanship, for the original owner, for a period of ten years. Any item deemed defective by Spectrum or the original manufacturer, under normal use conditions, will be repaired or replaced at Spectrum's discretion. This warranty applies to all products manufactured and distributed by Spectrum except the products listed below.

Items that have a varying warranty include, but are not limited to, the following:

- Adjustable Crank/Electric Desk Legs (1 yr)
- Flat Panel Desk Gas Cylinders (1 yr)
- Upholstered Soft-Goods (5 yrs)
- Adjustable Height & Stacking Chair Parts – including frames, gas cylinders, wood and plastic parts, and control handles (7 yrs)
- Adjustable Height & Stacking Chair Casters (2 yrs)
- Chair Upholstery & Textiles (2 yrs of normal use of Soft Goods, Adjustable Height, Stacking, Wood and Metal Chairs)
- Chair Upholstery - Graded-In Fabrics and C.O.M (no warranty)
- Height Adjustable Columns and Lifts (1 yr)
- General Use Casters (1 yr)
- Electrical – Electri-Pak, Power Communication Modules, and special order ECA electrical items (1 yr)
- Electrical - Power Strips & Electrical Timers (1 yr)
- Electrical Surge Suppressors (lifetime)
- Electrical - Retractable Power Cords (1 yr)
- Keyboard/Mouse Trays (1 yr)
- Flat Panel Monitor Arm – General Parts (5 yrs)
- Flat Panel Monitor Arm – Gas Cylinders (2 yrs)
- CRT Monitor Arm (1 yr)

Warranty is void if product is not used for its intended purpose or subjected to an unusual application, multiple-shift use, alteration, accident, abuse or abnormal wear and tear. Representations of colors on-line and in printed materials are meant to be a close reference to the actual colors but not an exact match. Slight variations in color and texture of wood stains, powder coating, laminates, fabrics and other materials are normal in different manufacturing lots; as such these variations are not considered defects.

DESIGNED FOR INDOOR USE ONLY – Unless specifically stated in the product specifications, Spectrum's products have been designed and constructed for indoor use only. Moving or using outdoors, or on excessively rough surfaces, may cause damage to the products and will void the warranty. If an outdoor application is desired please contact us to discuss potential custom design solutions.

The warranty, as stated above, supersedes any previous warranties and is effective as of 9/1/2010

