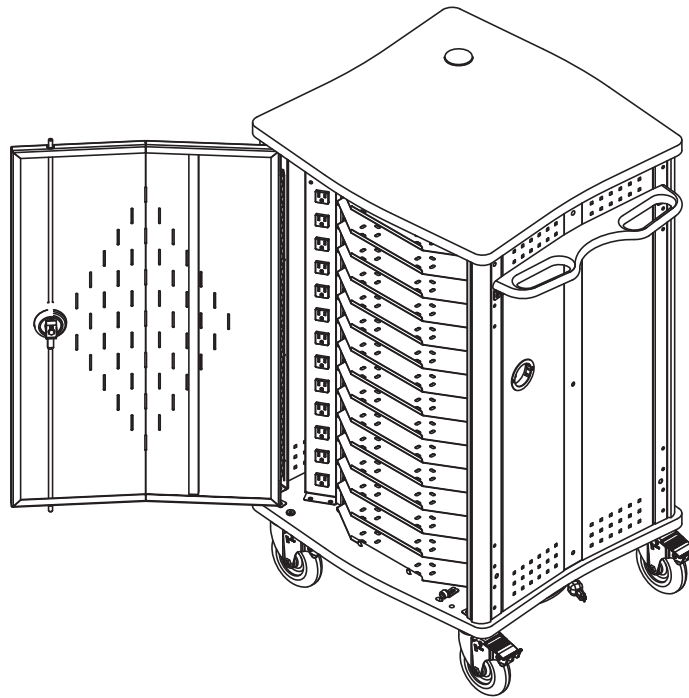


Technical Specifications

55215	LT-15 with 5" Balloon Wheels	BW or SR
-------	------------------------------	----------



Standard LT-15  
55215

The LT-15 is a full-featured, horizontal storage/recharging cart for up to 15 laptops in a compact, mobile cart. Laptop trays pull out for easy student-access to laptops and instructor-access to wires. The compact size makes it easy to move in and out of rooms and between desks and tables. Each laptop tray has its own outlet in a 15-outlet power strip. The power strip connects to a 15' retractable power cord, which helps reach power from wherever you need the cart to be. The LT-15 Laptop Cart is your solution for total laptop and classroom management, one class at a time.

Features and Benefits


- 15 laptop trays pull-out from front and back, providing quick and easy-access to laptops and cables
- Cable grommets and wire management located in each tray keep wires and cords organized (Velcro® tie-downs included)
- Four 5" swivel locking balloon wheels roll easily and quietly on uneven surfaces
- Double-bolt, keyed locking front and rear doors provide security and easy-access
- Conveniently-located 15-outlet power unit provides easy charging
- One standard ergonomic handle provides control and mobility
- Electrical system consists of UL-listed components
- Doors and panels are ventilated to keep devices cool
- Scratch and impact resistant 1 1/16" high-pressure laminate worksurface
- 2" cable grommet on the worksurface provides cable access
- One seven-outlet insured power strip with surge-protector and 12' cord for additional peripherals
- Optional adjustable-height, flip-up shelf provides a convenient additional worksurface
- Optional tray edge trim applies to pull edge and provides additional grip to each tray
- Warranted to be free of all defects in materials and workmanship with a 10-year warranty. Electrical system 1 year.


<b>Base Options</b>
BW - 4 swivel wheels
SR - 2 rigid, 2 swivel wheels

<b>Options &amp; Accessories</b>
Page 6

**Color Options**

Standard laminate / color combinations

Wild Cherry / Black (CHB) 

Indigo Organix / Dark Gray (ID) 

Standard color combination refers to the quickest deliverable product color combination. Custom laminates and color combinations are available-additional lead-times and up-charges may apply. Call 1-800-235-1262 for further information.

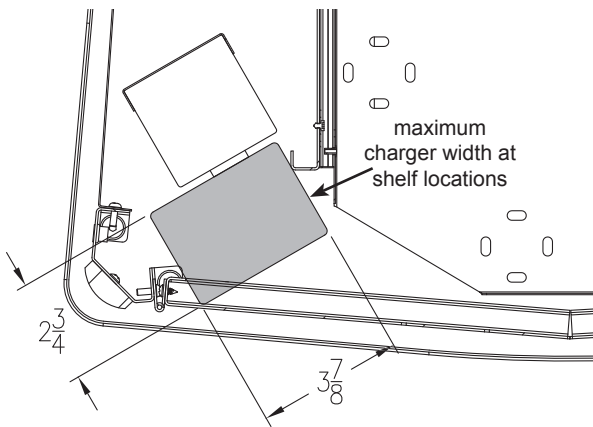
# Construction

- The worksurface and base panels are constructed from 1 $\frac{1}{16}$ " thick NAUF (No Added Urea Formaldehyde) composite board with .030 high-pressure laminate on one face, and a balancing phenolic backer on the opposing face
- 20-gauge steel pull-out laptop trays and side panels
- 16-gauge steel doors and corner columns
- Worksurface and base panel edges are covered with 3mm vinyl
- Ergonomic handle is made of black recycled plastic
- All metal components are finished with a scratch-resistant powder coat epoxy
- Solid wood corner trim
- Each LT-15 is factory-assembled with wheels, packaged, and shipped on its own skid (*handle to be installed by customer*)

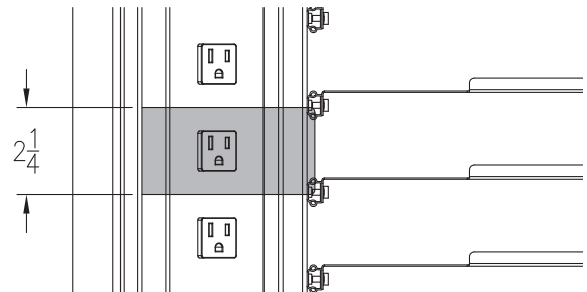
# Specifications

Laptop capacity	15 units
Pull out trays	15 trays, 16 $\frac{1}{2}$ "W x 20 $\frac{1}{2}$ "D x 2 $\frac{1}{4}$ "H, maximum recommended load per tray not to exceed 7 lbs
Electrical	The LT-15 has one 15-outlet (125V) power unit containing a 15-amp breaker, on/off switch and a 12' nominal 14 AWG, 3-wire power cord. Outlets are accessible from the back of the unit. UL listed components.
5" Balloon Wheels	weight capacity 325 lbs each
Optional Flip-up shelf	18"W x 20 $\frac{5}{8}$ "D x 1" thick, 50 lbs max capacity
Unit weight (nominal)	206 lbs
Shipping weight (nominal)	247 lbs
Meets or exceeds applicable ANSI-BIFMA test standards	

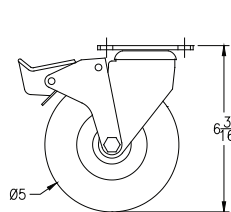
Specifications subject to change without notice



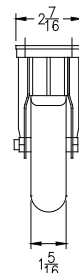
outlet spacing on 16-outlet power unit



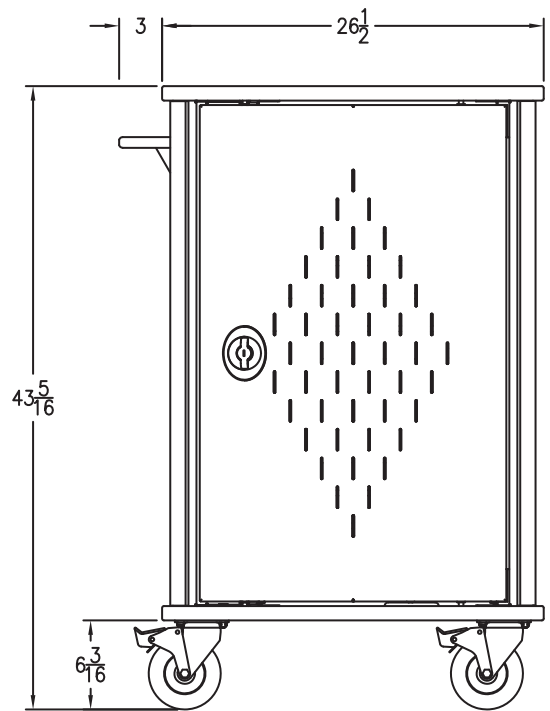
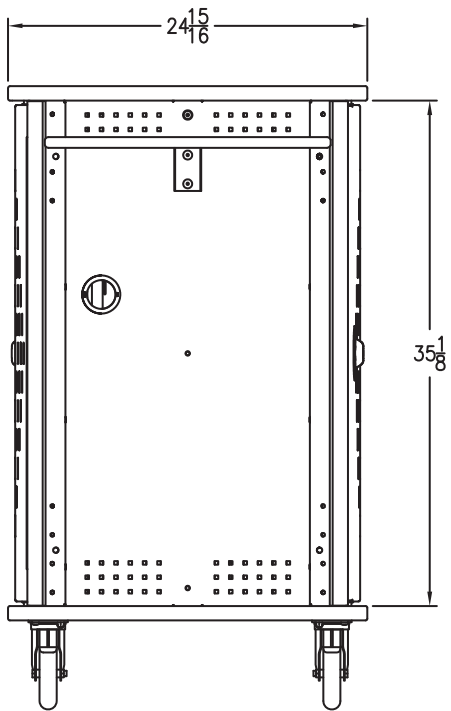
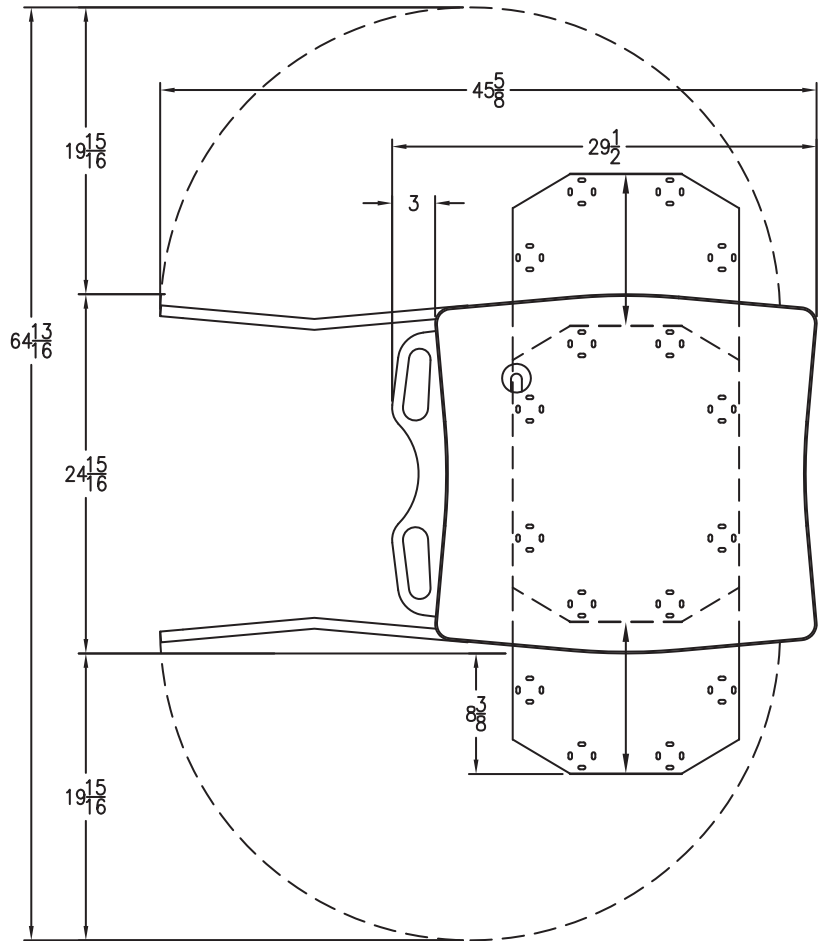
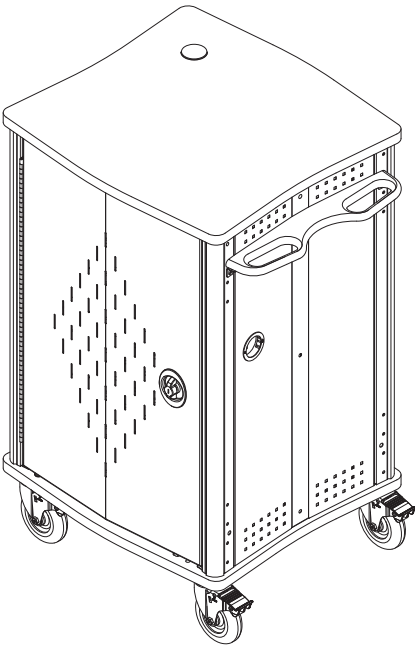
maximum charger height



5" balloon wheels



LT-15 Laptop Cart

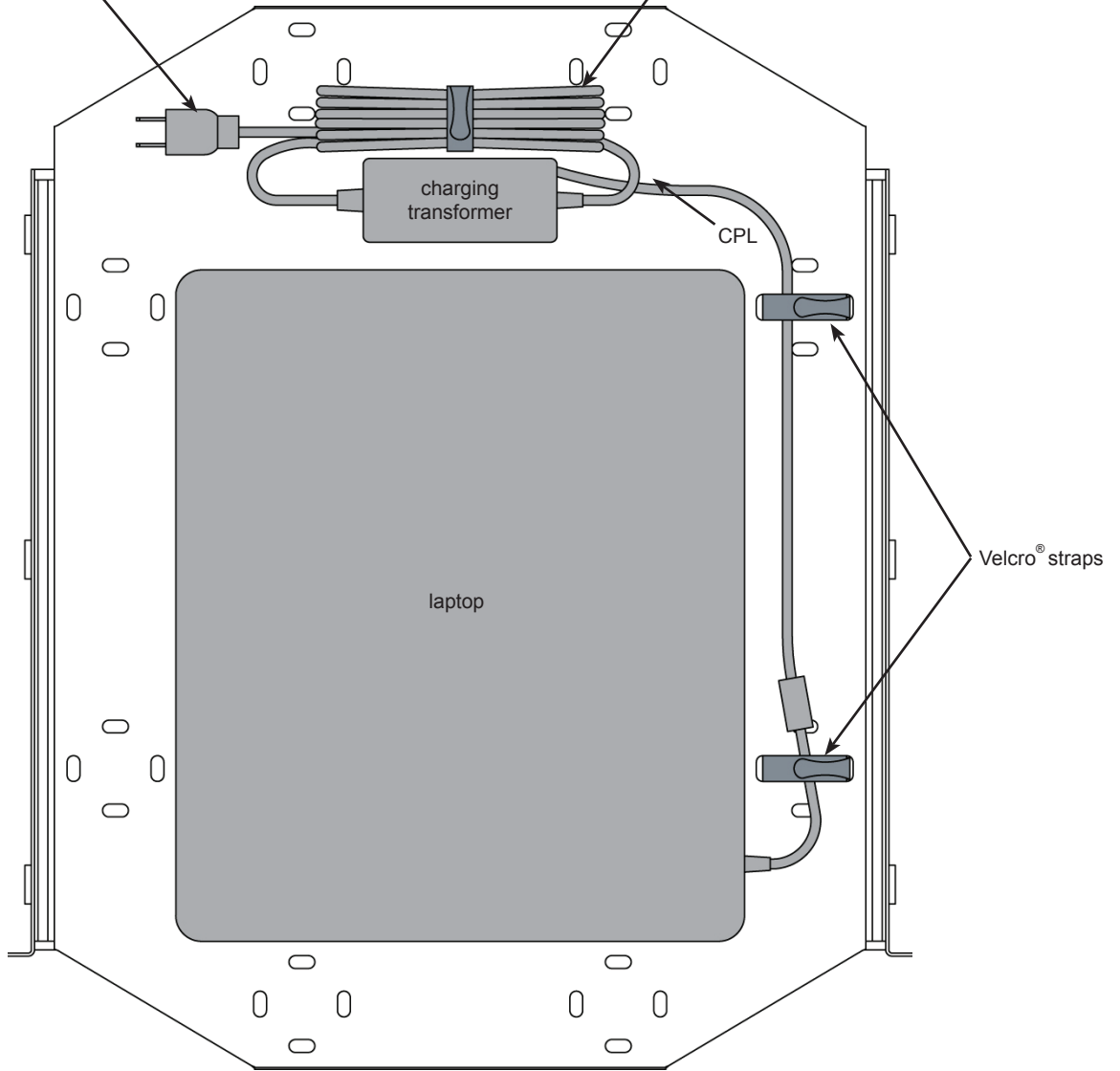


laptop tray

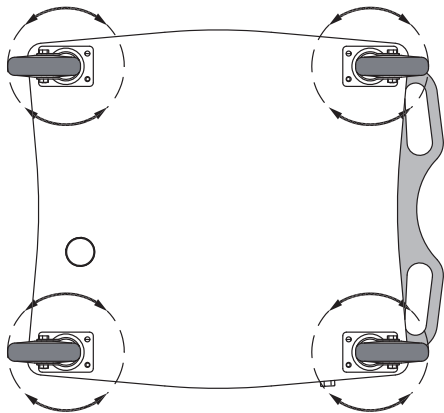
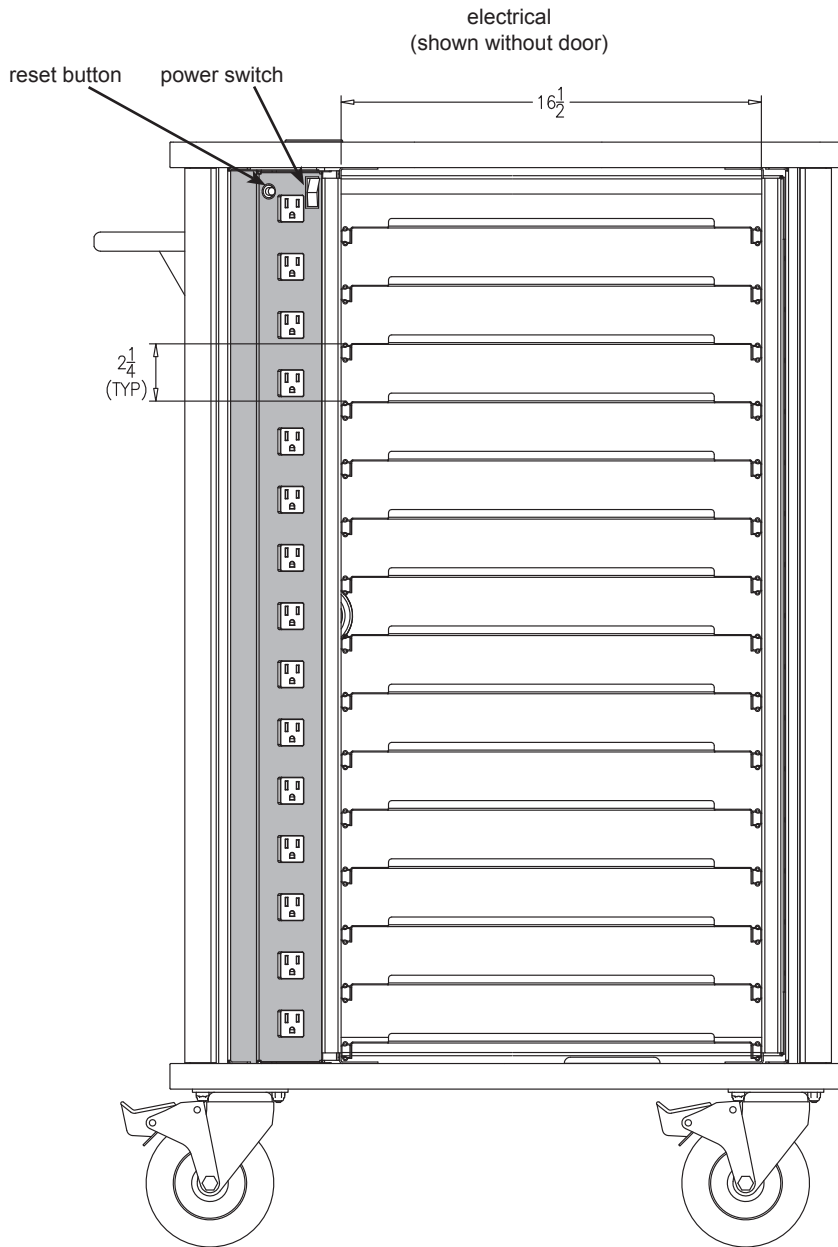
power cord  
(leave enough slack to pull out tray)

power-side

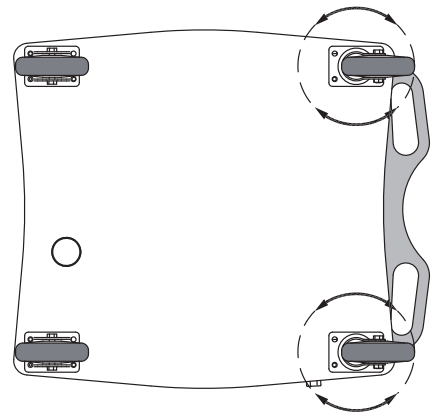
bundled charge cords  
with Velcro® strap



student-side



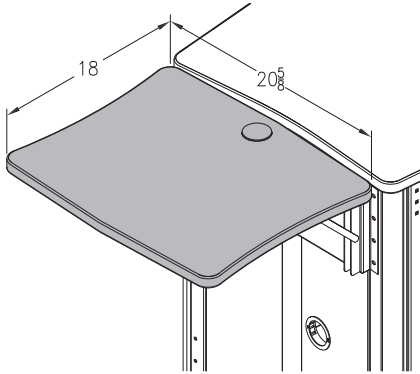
**BW**  
**5" Balloon Wheels (4 swivel)**  
*Provides more maneuverability in tight spaces, but less control when mobile*



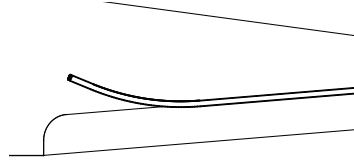
**SR**  
**5" Balloon Wheels (2 swivel, 2 rigid)**  
*Provides more control when mobile, but less maneuverability in tight spaces*

Note: If you have the SR version on your particular cart, mounting the handle on the same side as the two swivel wheels will provide more control of the cart when mobile.

# Options



**Flip-up Shelf**  
adjustable-height, mounts on left or right  
18"W x 20 5/8"D  
(50 lbs max capacity)  
55219



**Tray Edge Trim**  
applies to shelf pull edge  
30 pieces  
55172



**Velcro® Strap Kit**  
(16) 3/4" x 12", and (32) 3/4" x 5"  
Velcro® Straps  
95004

Note: Power and communication wiring for document cameras, laptop computers, and/or projectors placed on the flip-up shelf should be routed on top of the audience-side of the shelf. Use of the shelf grommet hole for wiring will result in pinching of the cords when the shelf is folded.

# Warranty

## WE WILL MAKE IT RIGHT FOR YOU!

Spectrum is committed to provide complete customer satisfaction. Each of our products is manufactured from the best materials available and each product is stringently monitored throughout the production process through our P.A.C.E. program (Product Assurance to meet Customer Expectations).

We expressly warrant that Spectrum products will be of good quality and workmanship and free from defect for the period set out in the warranty table below from the date of delivery. This warranty shall not apply to defects or damage resulting from misuse, abuse, neglect, improper care, modification or repair not authorized by Spectrum, or any other cause outside the control of Spectrum. Spectrum will, at its sole option, either repair or replace the defective product.

This warranty is exclusive; no other warranty, written or oral, is expressed or implied. This warranty is given by Spectrum to Buyer and to no other person or legal entity. No Spectrum dealer, distributor, agent or employee is authorized to make any modification or addition to this warranty.

**NOTWITHSTANDING ANYTHING TO THE CONTRARY, SPECTRUM WILL NOT UNDER ANY CIRCUMSTANCES BE LIABLE FOR INDIRECT OR LIQUIDATED DAMAGES, INCLUDING CONSEQUENTIAL, INCIDENTAL AND SPECIAL DAMAGES. IN NO EVENT SHALL SPECTRUM'S LIABILITY, WHETHER UNDER CONTRACT OR WARRANTY, IN TORT OR OTHERWISE, EXCEED THE PURCHASE PRICE RECEIVED BY SPECTRUM FOR THE PRODUCT AT ISSUE AND "RECALL ACTION" EXPENSES. SPECTRUM SHALL NOT BE SUBJECT TO ANY OTHER OBLIGATIONS OR LIABILITIES, WHETHER ARISING OUT OF BREACH OF CONTRACT, WARRANTY, TORT (INCLUDING NEGLIGENCE AND STRICT LIABILITY) OR OTHER THEORIES OF LAW, WITH RESPECT TO PRODUCTS SOLD OR SERVICES RENDERED BY SPECTRUM, OR ANY UNDERTAKINGS, ACTS OR OMISSIONS RELATING THERETO.**

Our Customer Service Department is ready to provide immediate attention to any questions, comments or concerns. They are available to answer your calls Monday through Friday from 7 am to 5 pm CST. In addition your product comments or concerns are welcome via e-mail at: [spectrum@spectrumfurniture.com](mailto:spectrum@spectrumfurniture.com).

Warranty Table

Item	Warranty Period
• Adjustable Crank/Electric Desk Legs	• 1 Year
• Flat Panel Desk Gas Cylinders	
• Adjustable Height Chair Parts – including frames, gas cylinders, wood and plastic parts, and control handles Adjustable Height Chair Parts Casters	• 7 Years
• Adjustable Height Chair Upholstery	• 2 Years
• In-Stock Upholstery	• 2 Years
• Graded-In Fabrics and Customer Owned Material	• No Warranty
• Height Adjustable Columns and Lifts	• 1 Year
• General Use Casters	
• Electrical	
• Keyboard/Mouse Trays	
• Flat Panel Monitor Arm – General Parts	• 5 Years
• Flat Panel Monitor Arm – Gas Cylinders	• 2 Years
• Computer Desk Chassis	• 10 Years
• Cart Chassis	
• Lectern Chassis	

