

Rock Solid Recommended Vehicle Mounting Solution



Very Well Connected™



Chevrolet Silverado, Suburban, Tahoe, 1500, 2500, 3500

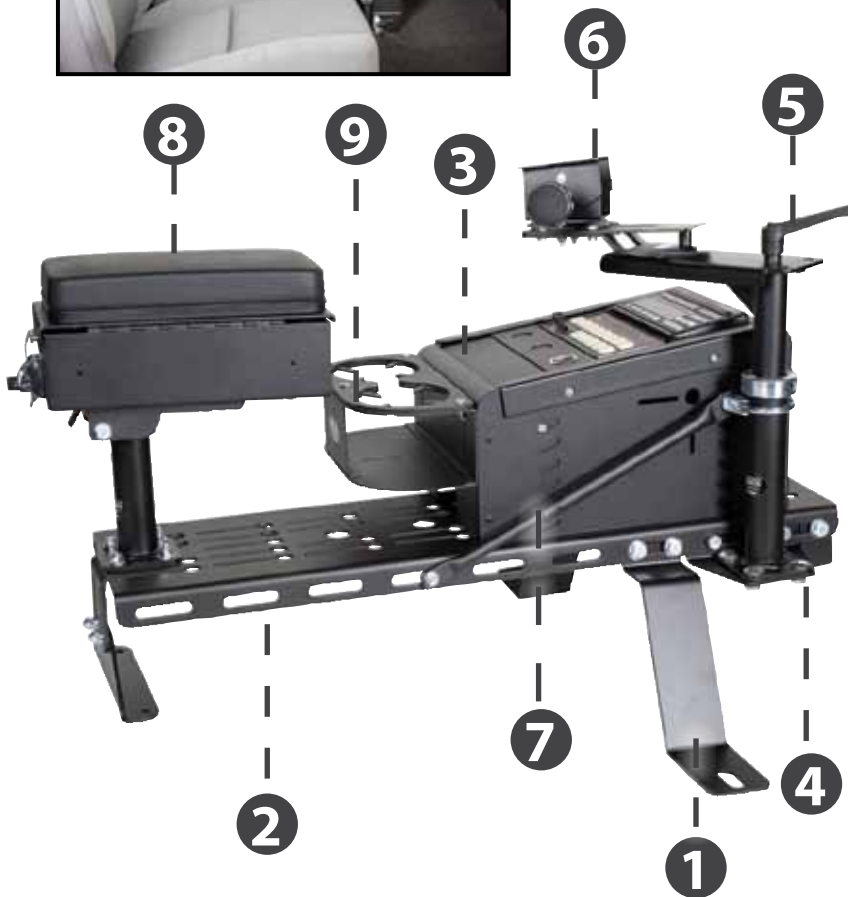


Vehicle Models/Years:

- Chevrolet Avalanche (2002-2009)
- Chevrolet 1500/2500/3500 C/K (1999-2009)
- Chevrolet Silverado (1999-2009)
- Chevrolet Suburban (2000-2009)
- Chevrolet Tahoe (2000-2009)
- GMC Sierra (2000-2009)
- GMC Yukon/Yukon XL (2000-2009)

Chevrolet Silverado, Suburban, Tahoe, 1500, 2500, 3500 - Console System

Rugged Docking Stations and Vehicle Mounts



Gamber-Johnson is the leading manufacturer of quality, rugged docking stations and vehicle mounts. Gamber-Johnson is a certified docking station manufacturer for Panasonic, General Dynamics Itronix and DRS. The solution shown is the recommended solution, however the components can be mixed and matched so you can design the solution that fits your specific requirements. Visit Gamber-Johnson's website at www.gamberjohnson.com to view the complete line of vehicle mounts, console boxes and docking stations.

Solution Components:

- 1. Leg Kit**
(Item No. 7160-0160)
Leg Kit is a no-drill solution and attaches to the passenger side seat studs.
- 2. 29" Top Plate**
(Item No. 7160-0085)
Top plate allows console box to be offset towards the passenger for added space.
- 3. 13" Console Box**
(Item No. MCS-EPIC13)
The two-piece flexible design allows for multiple height/angle combinations based on radio requirements. Rounded edges designed for passenger safety and gives a sleek appearance.
- 4. Side Extension Mounting Plate**
(Item No. 7160-0117)
Provides off-set mounting surface
- 5. Pole System**
(Item No. DS-LOWER-7 & QADJ-UPPER-M5)
Pole system includes the lower tube and the upper pole. Combined they allow the user to ergonomically position the computer to fit them best.
- 6. Motion Attachment**
(Item No. QUAD-MOTION TS3)
Motion Attachment has tilt capabilities up to 30° forward/30° backward and can swivel up to 60° right/60° left on two different pivot points and can slide up to 3.5" forward/backward.
- 7. Support Brace**
(Item No. LAC-02)
Support Brace provides additional mount system support in rugged driving conditions and reduces mounting system vibration.
- 8. Armrest**
(Item No. 7160-0006)
Gamber-Johnson offers a variety of armrests to suite the users specific needs including a printer armrest for a Pentax Printer (shown).
- 9. Accessories**
Gamber-Johnson offers a variety of accessories for their console box line including cup holders, LED lights, mic clips, cigarette adapter kits and power distribution blocks. (Item No shown: 3130-0361, 7160-0063, MCS-CUPHOLD2)